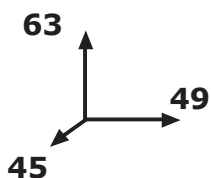
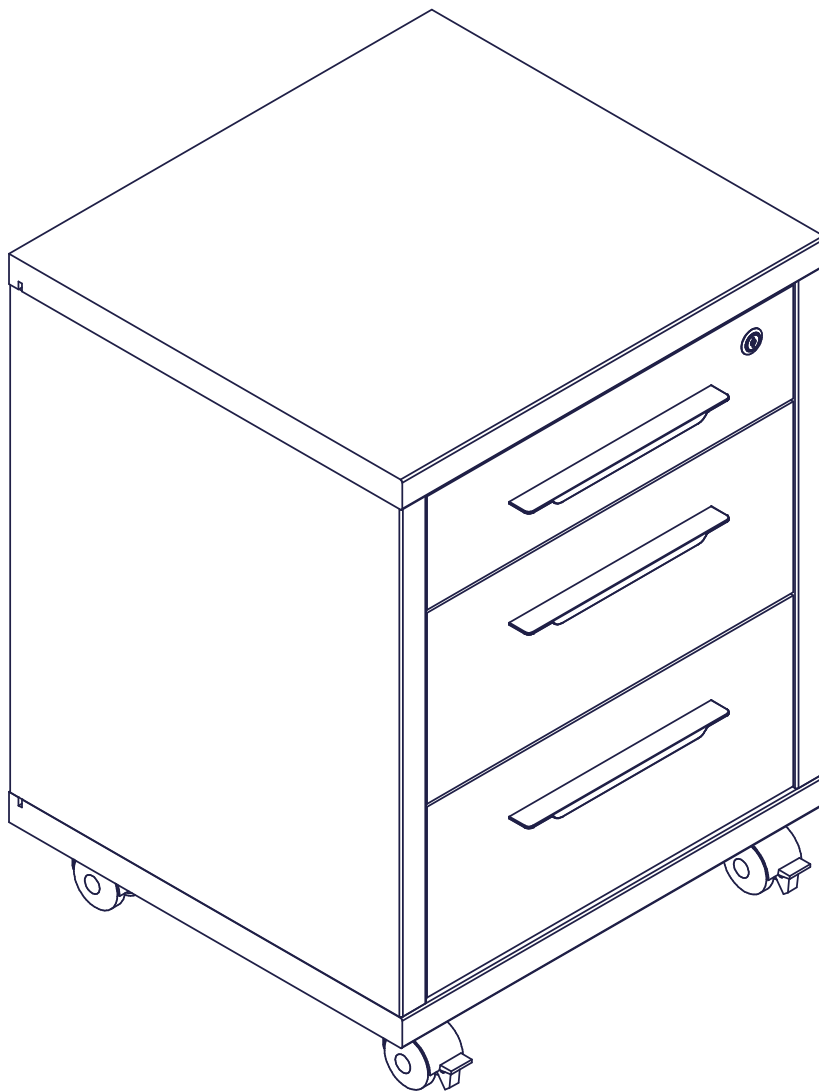
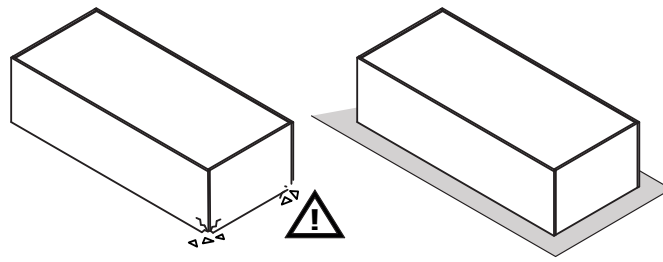
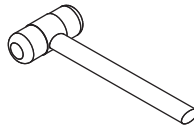
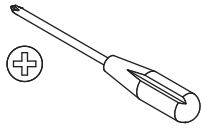


CT4811K51204

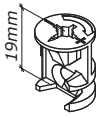


QF3541

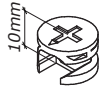


BU2943

BU2924



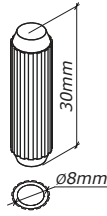
T97
x4



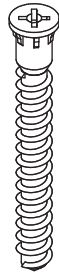
T98
x4



T28
x8



H1
x8



V57
x4



V5
x26



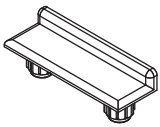
H2
x10



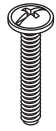
H166
x1



V13
x12



H114
x4



V137
x6



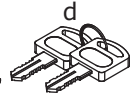
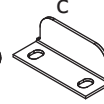
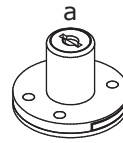
G128
x4



V109
x2

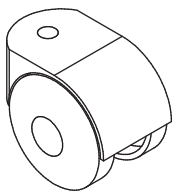


H173
x1

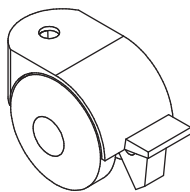


H171
x1

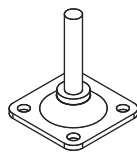
BU0144



H97
x2



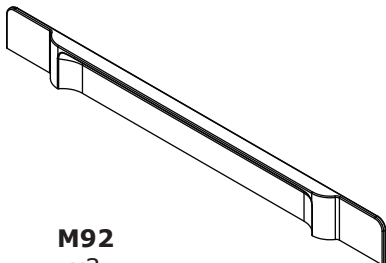
H96
x2



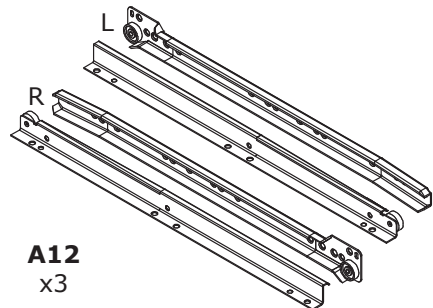
H47
x4



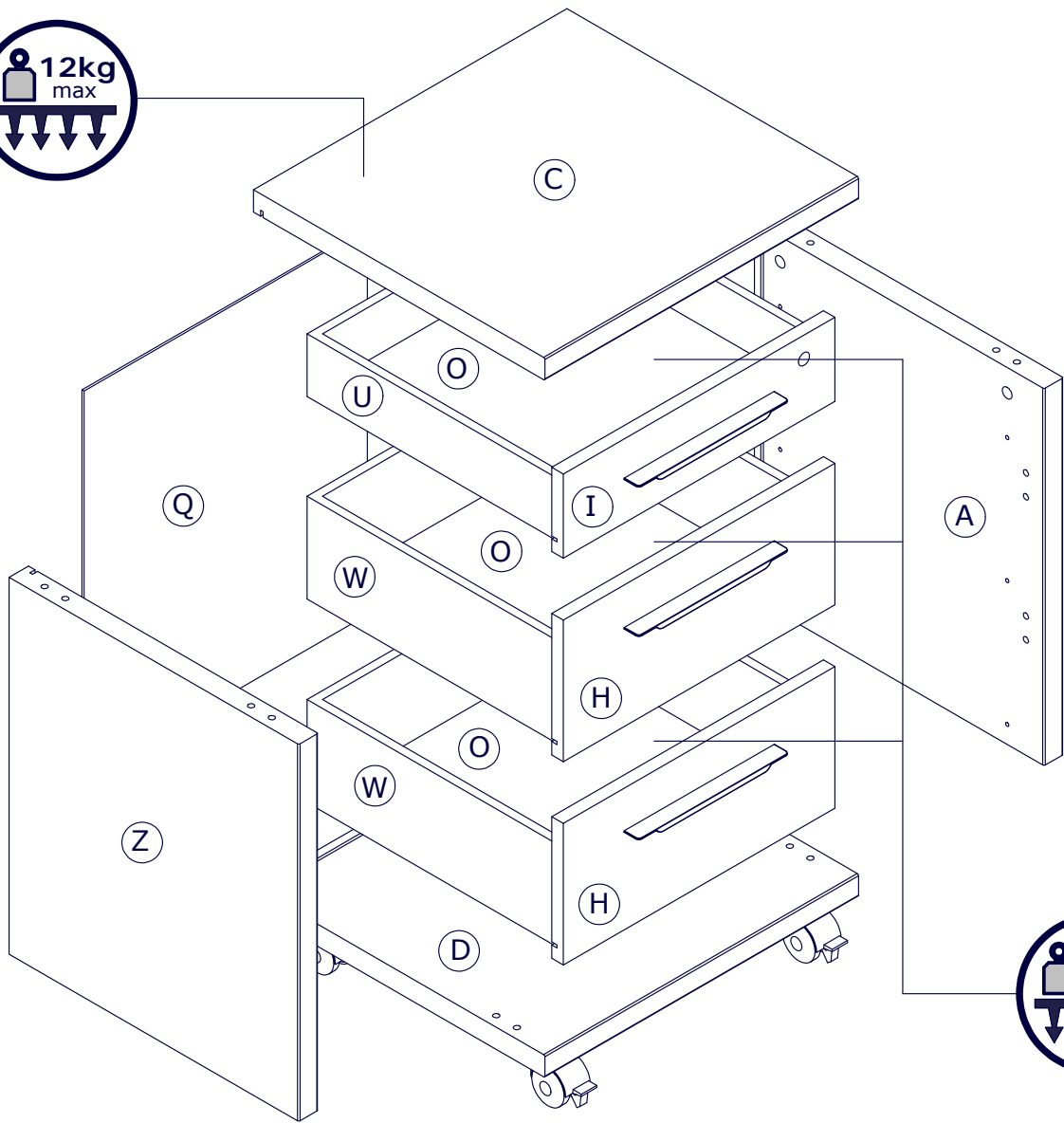
V5
x16



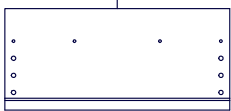
M92
x3



A12
x3



H x2



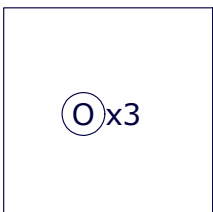
• CS2239
421x190x18mm

I



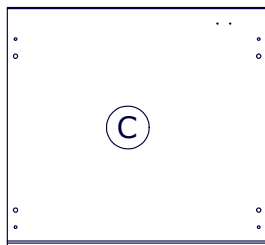
• CS2237
421x113x18mm

O x3

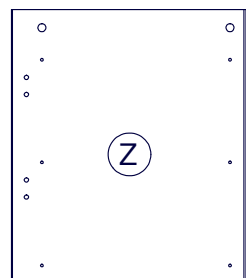


• SH2535
391x387x3mm

C

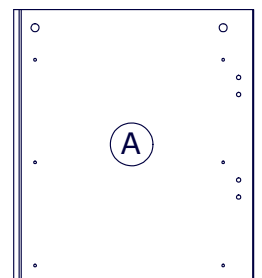


• CA2780
486x452x30mm



• FI5700
506x449x30mm

A



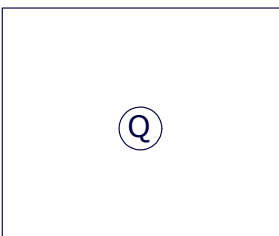
• FI5699
506x449x30mm

U



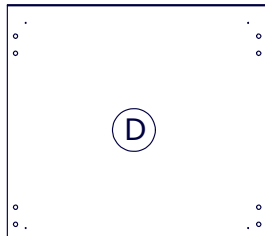
• OF0276
390x400x390mm H.84mm

Q



• SH2534
520x439x3mm

D



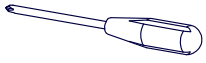
• BA1704
486x452x30mm

W x2

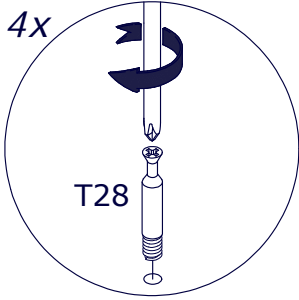


• OF0275
390x400x390mm H.138mm

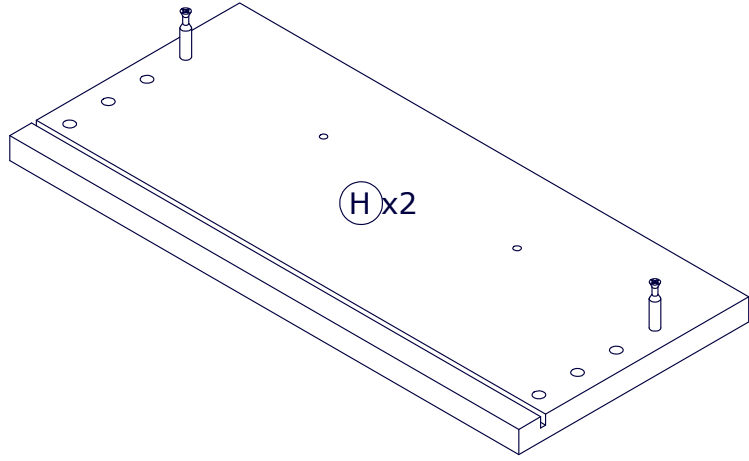
1



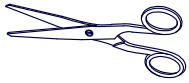
4x



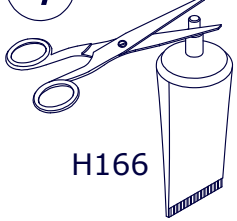
T28



2

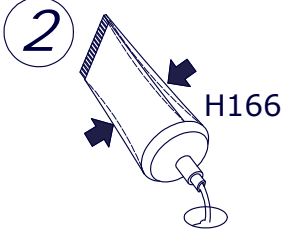


1

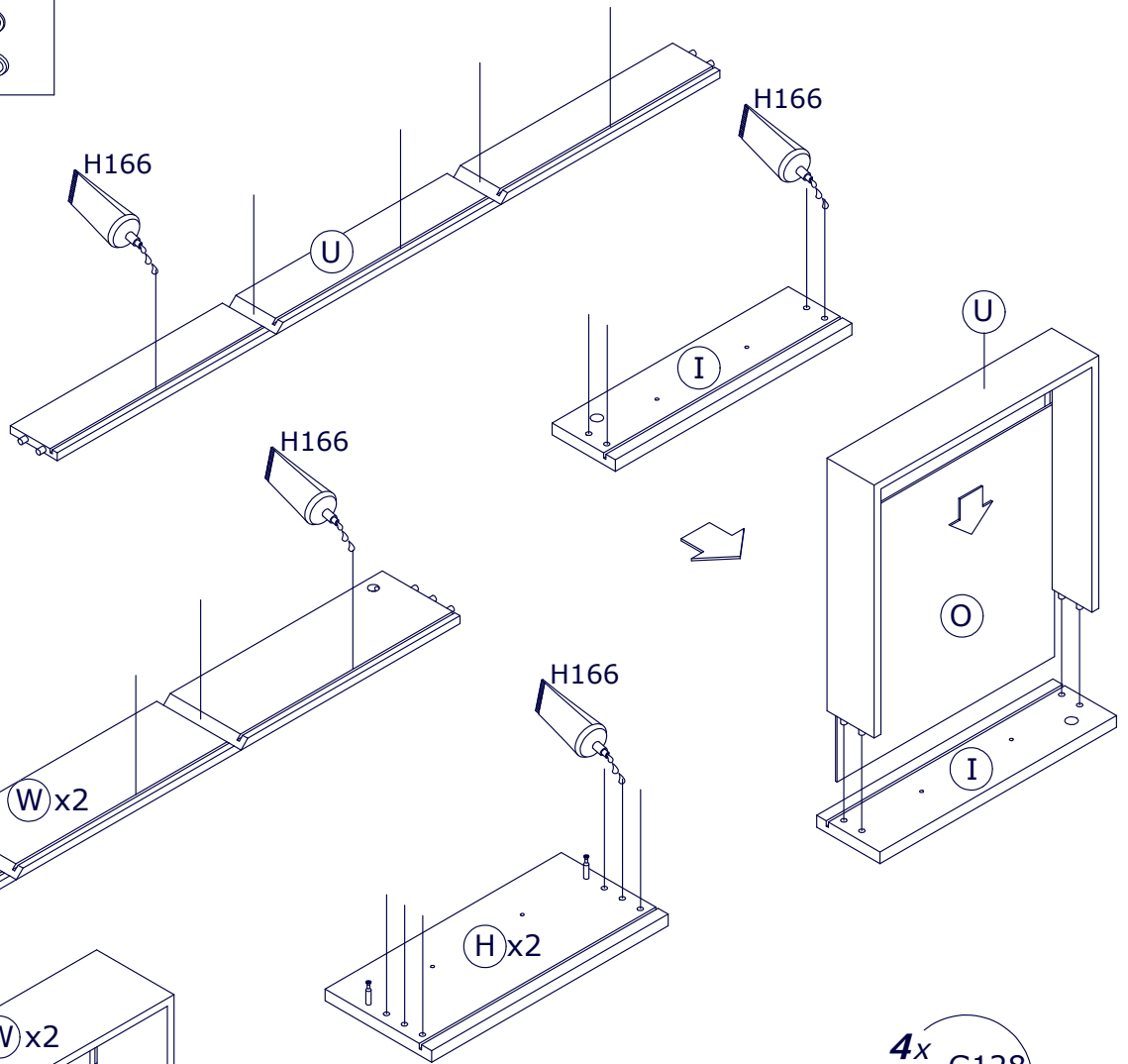


H166

2



H166



W x 2

O x 2

H x 2

4x G128

4x

W x 2

T98

2

H x 2

T28

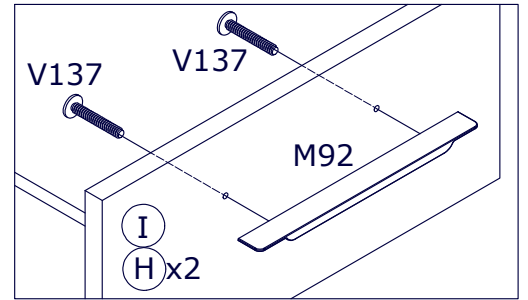
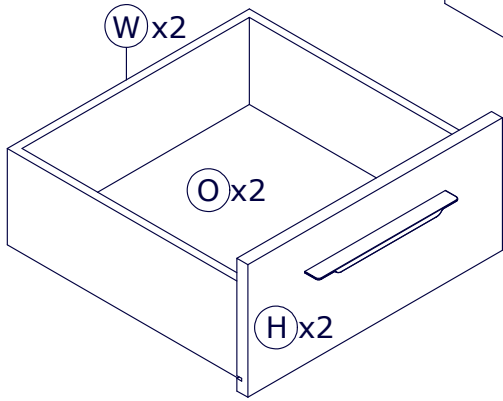
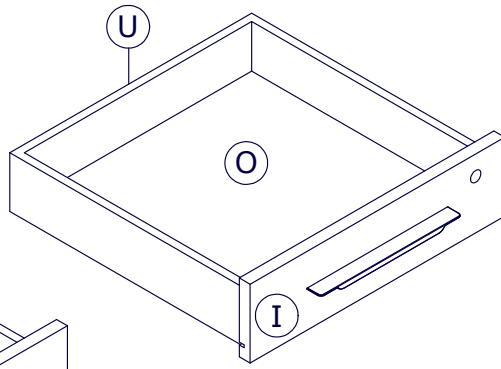
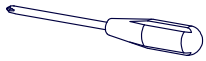
G128

W x 2

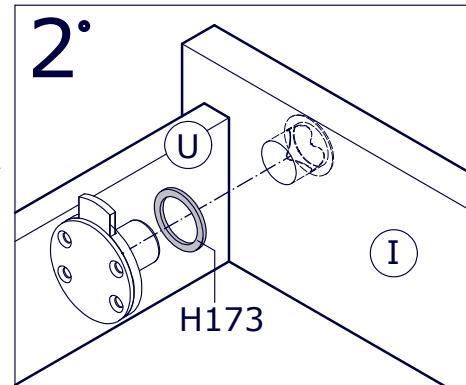
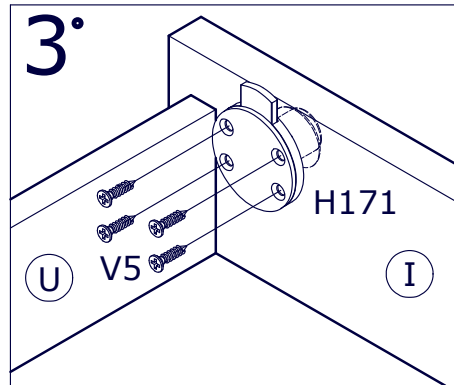
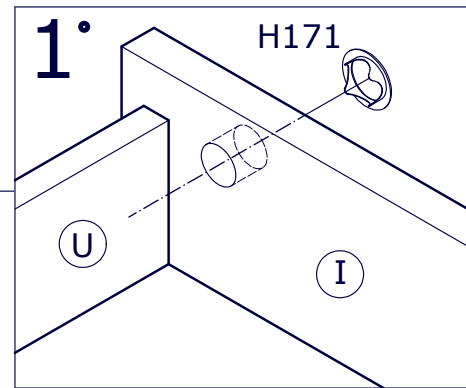
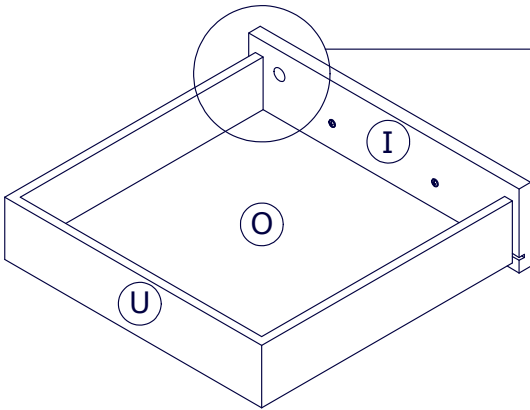
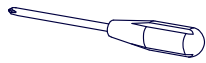
T98

H x 2

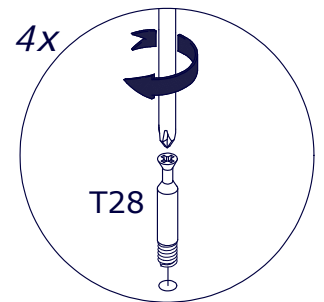
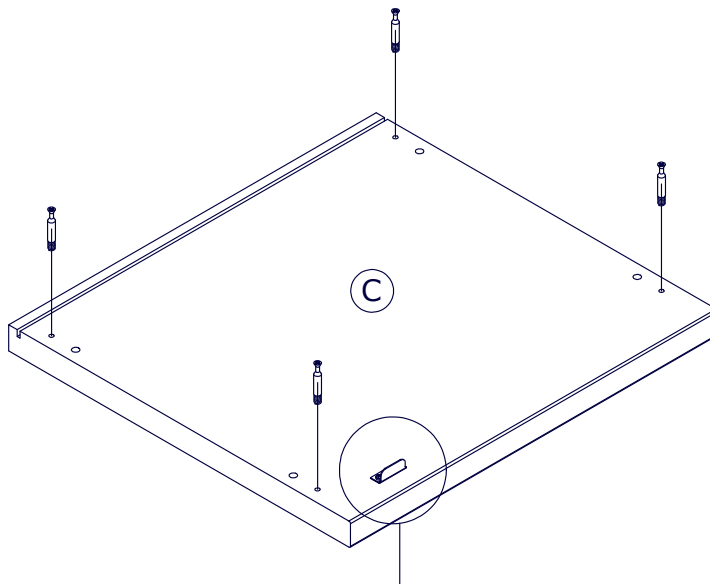
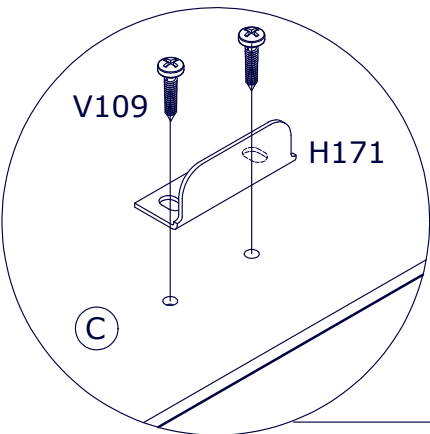
3



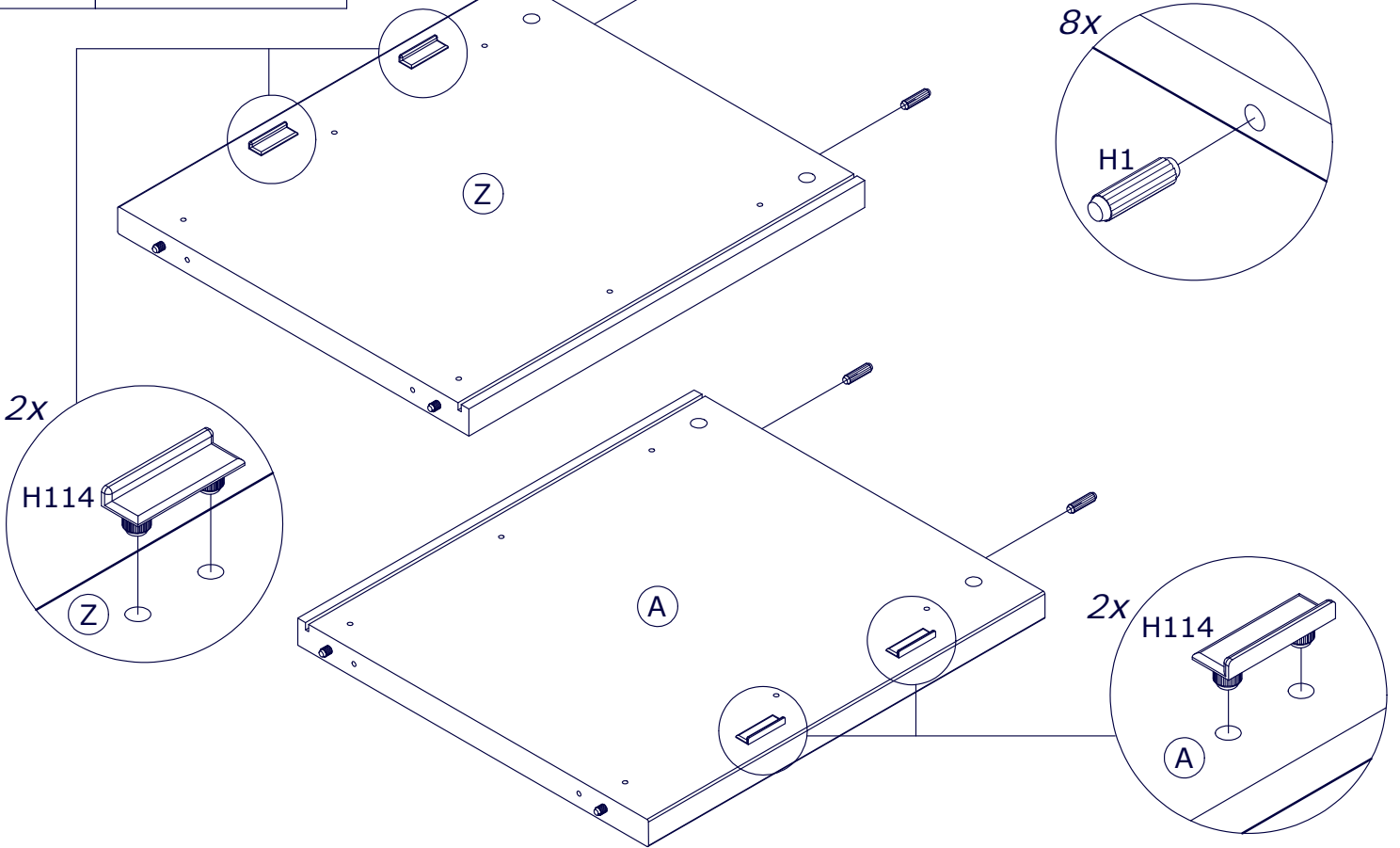
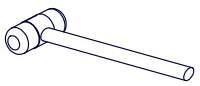
4



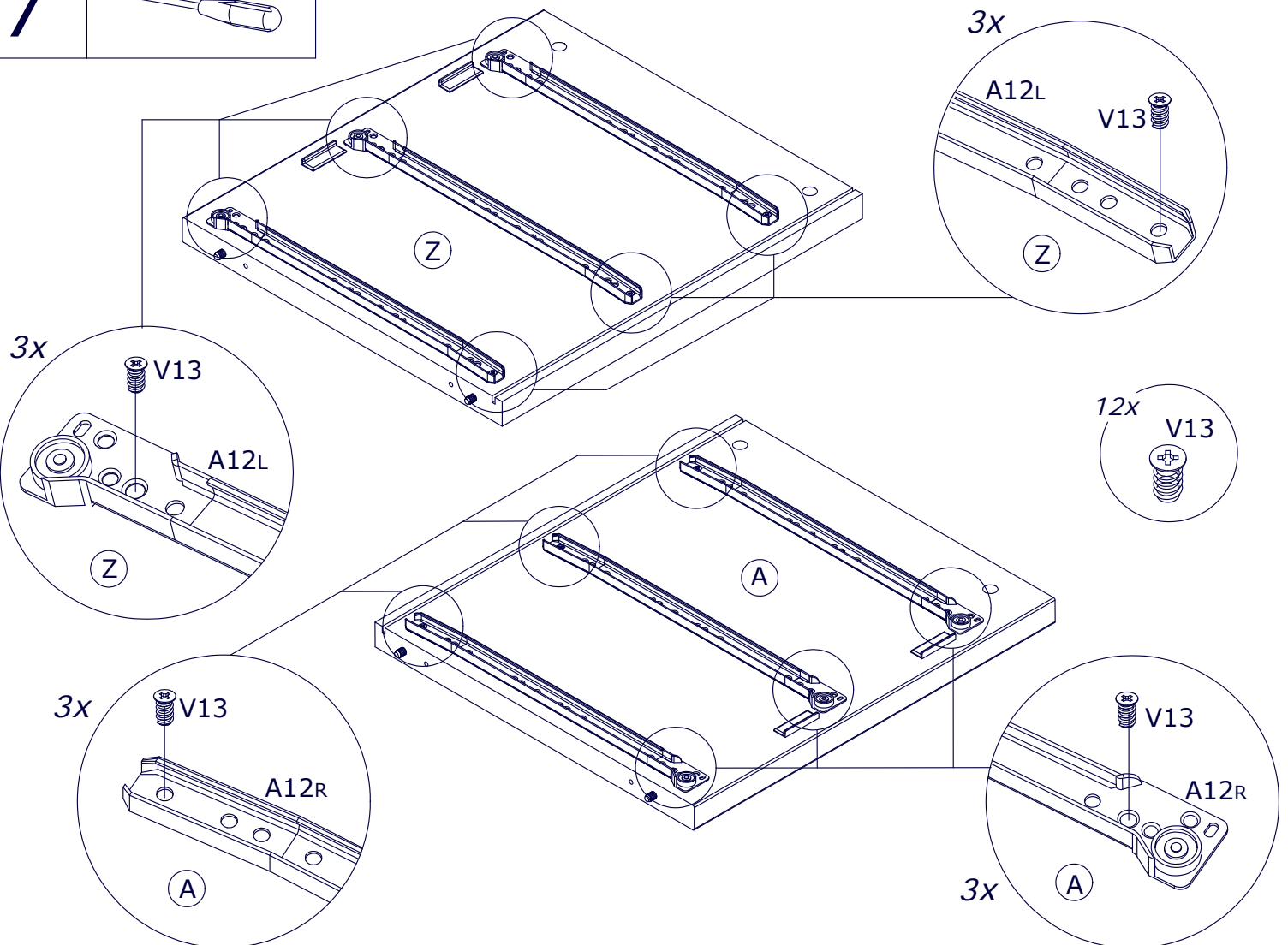
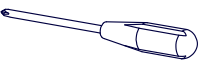
5



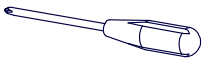
6



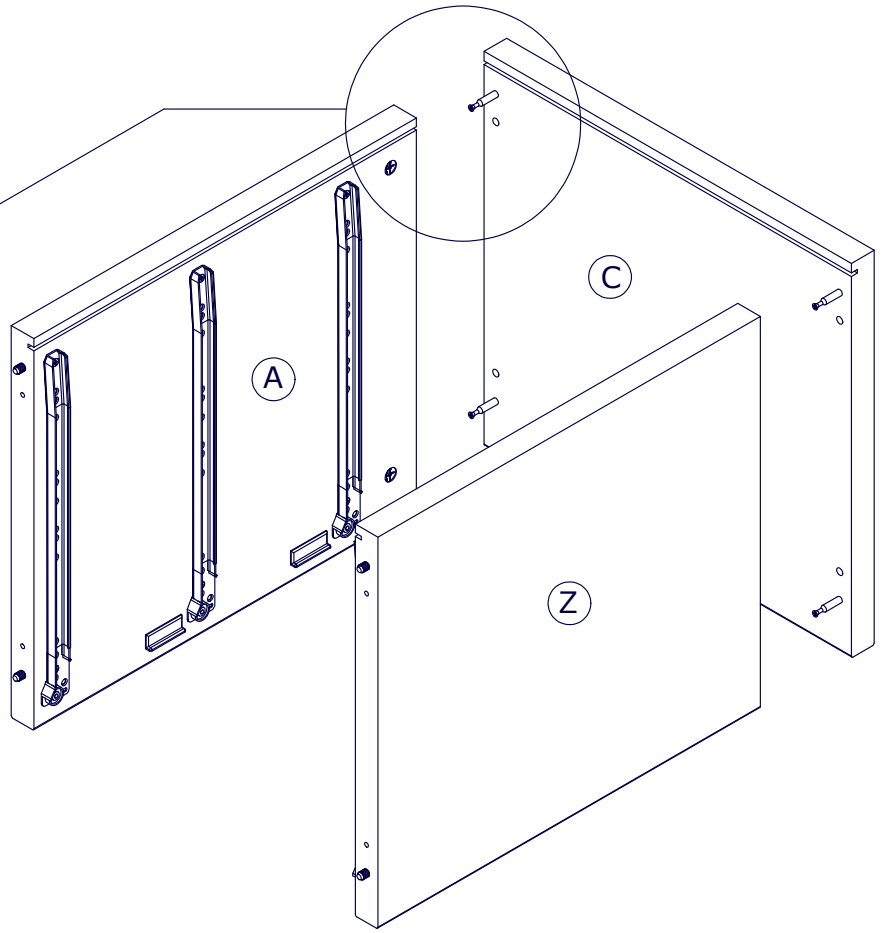
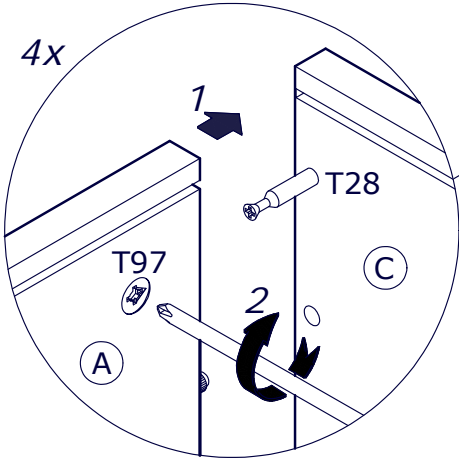
7



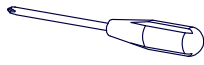
8



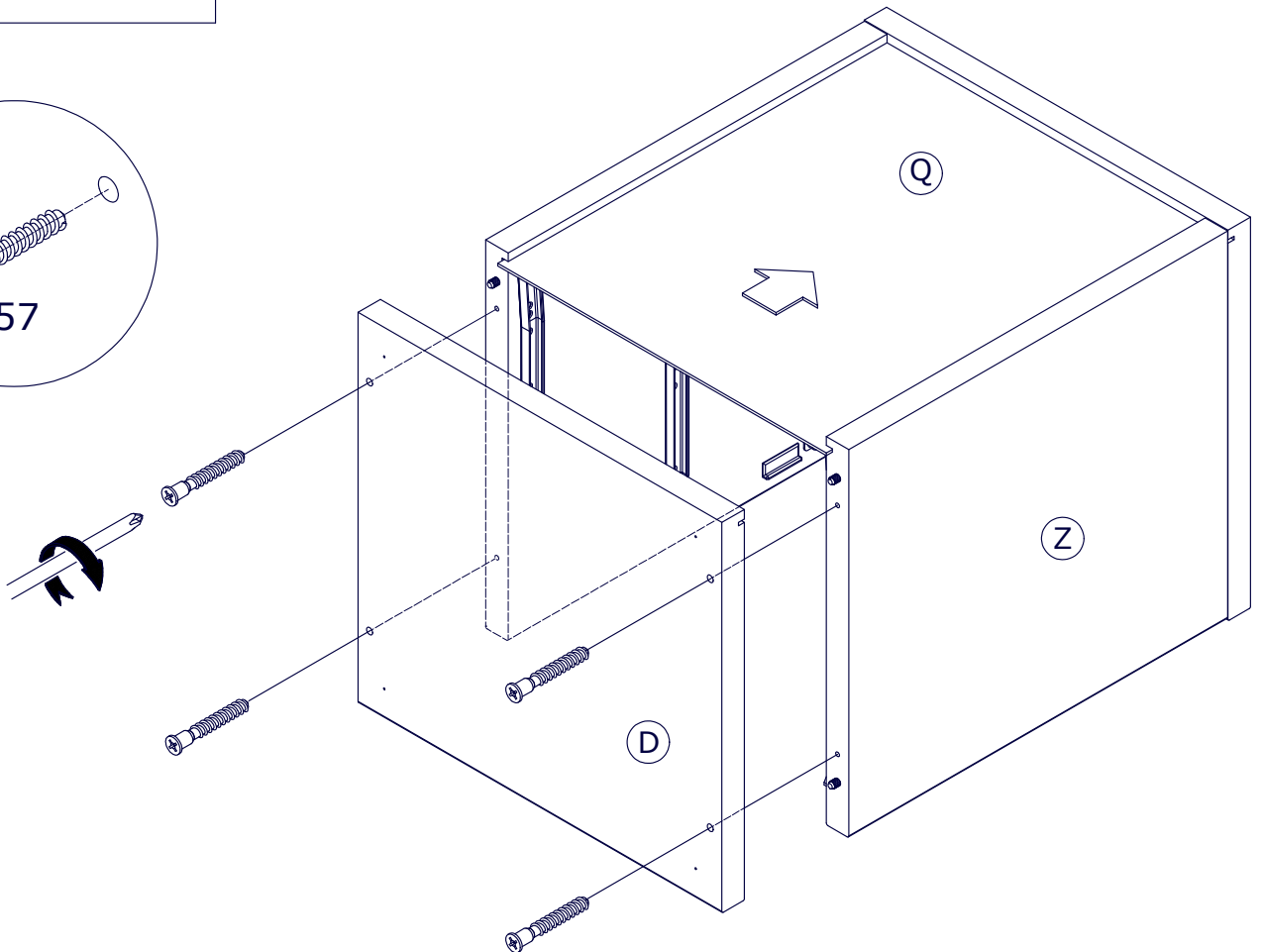
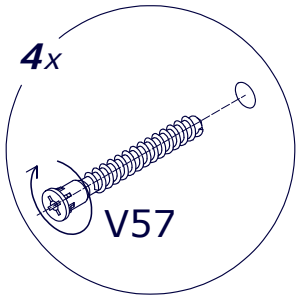
4x



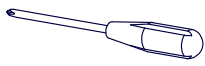
9



4x

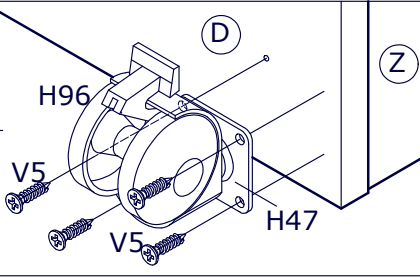
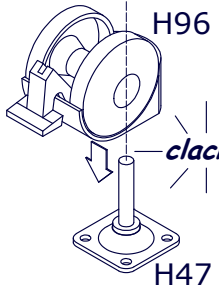
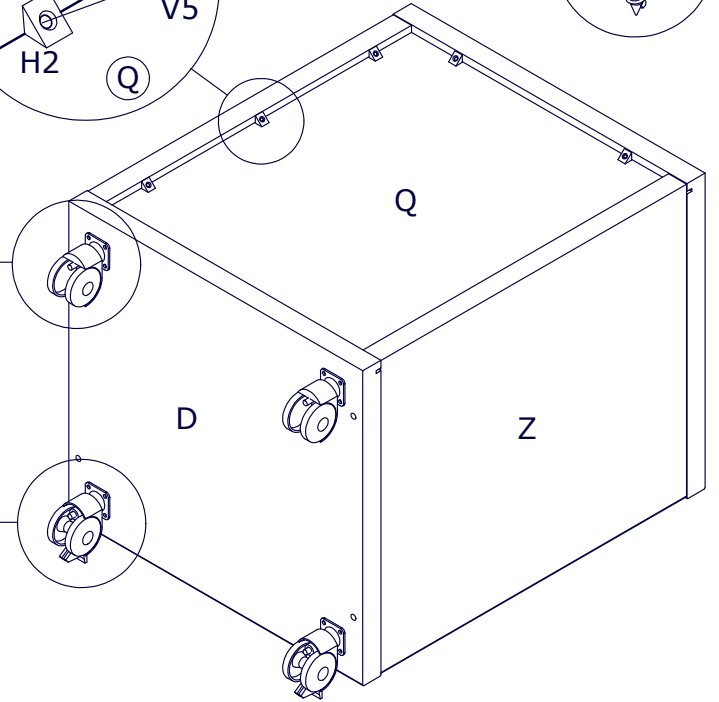
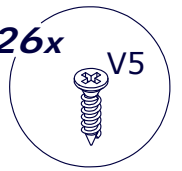
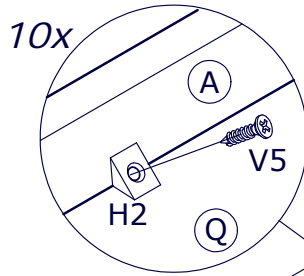
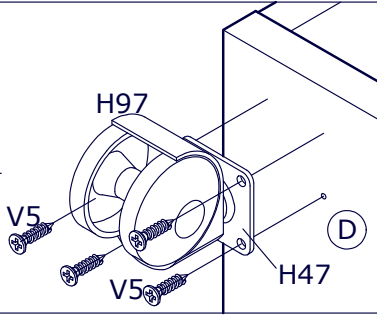
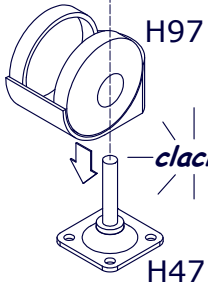


10



10x

26x V5



11



12x V5

