



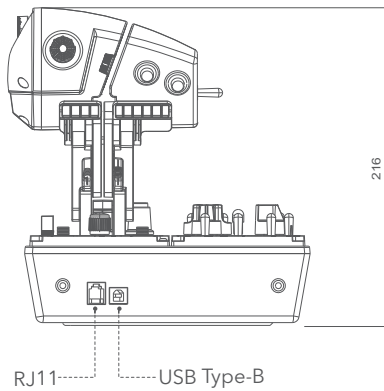
MTP Throttle Panel



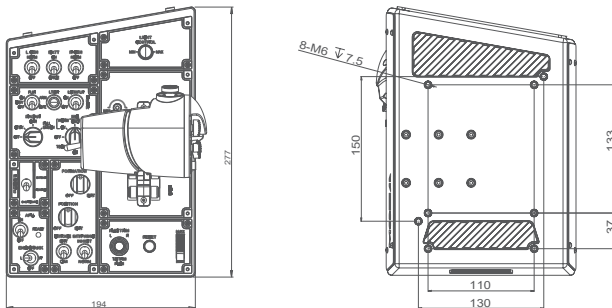
01 Product Features

- Realistic Design
- Aluminum Alloy Throttle Grip
- High-Resolution Encoder
- 27 Physical Switches
- Adjustable Gear Mechanism
- Adjustable Vibration Function

02 Connection Ports



03 Parameters

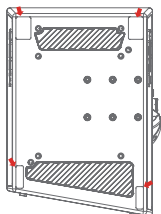


04 User Guide

Securing the Throttle

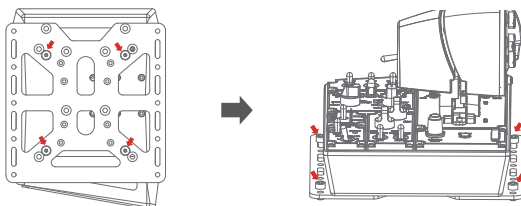
1. Stick the throttle to the desk.

Align and firmly press the included sticker onto the designated area below the MTP throttle, ensuring the surface is clean and dust-free.



2. Installing the Mounting Plate

To mount the MTP throttle, align it with the 4 holes indicated in the diagram, secure it by tightening 4 M6 countersunk screws, and lock it into place according to the mounting holes on the bracket.



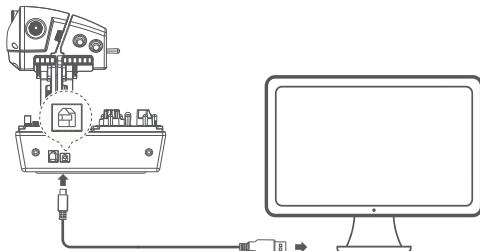
*The mounting plate must be purchased separately.

Connecting to PC

1. Direct Connection to PC

- Use the included USB cable to connect the Type-B end to the corresponding port on the MTP throttle, and the Type-A end to your PC. If connected successfully, the device's light will gradually illuminate, and the MOZA Cockpit will display that the device is connected and functioning correctly.

* If the device fails to light up, turn the light control button clockwise.

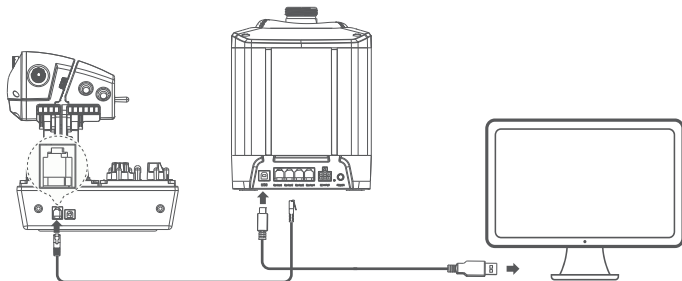


Direct connection via USB cable

* If the device light flashes, it indicates BOOT mode. Please exit BOOT mode from the host computer.

2. Connecting to PC through MOZA Flight Base

- Connect one end of the included RJ11 cable to the corresponding port on the MTP throttle and the other end to the MOZA AB9 Base. Power on the base; if connected successfully, the device light will illuminate, and the MOZA Cockpit will indicate that the device is connected and functioning correctly.
- * If the device fails to light up, turn the light control button clockwise.

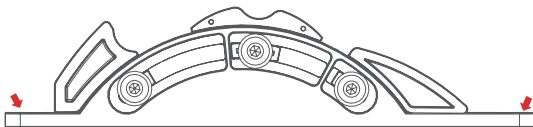


The Panel connects to the Base via RJ11, Then connect the Base to the PC via USB cable.

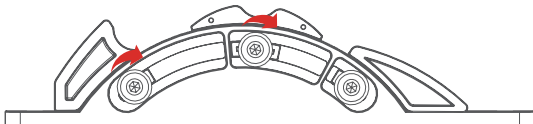
- * If the device's light is flashing slowly, it is in BOOT mode. Please exit BOOT mode on the host computer.

Gear Adjustment

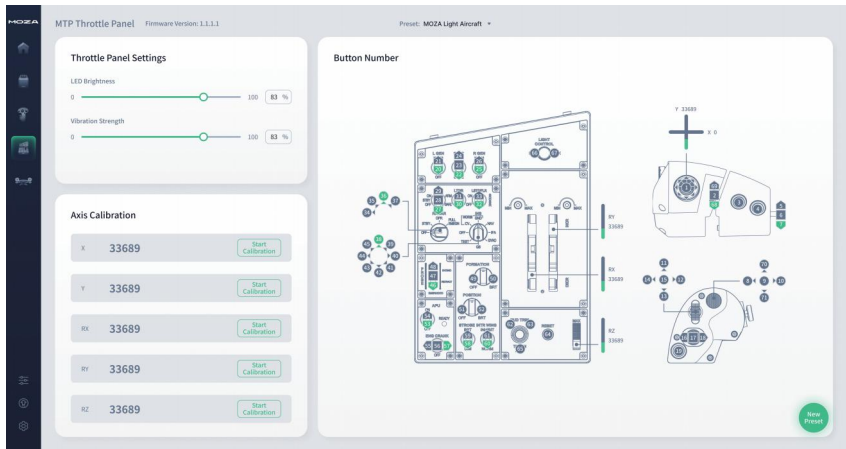
1. If you wish to detach the throttle detent mechanism, use the included wrench to turn the screw (as shown below) on the detent adjustment mechanism counterclockwise to remove it.



2. If you wish to adjust the position of afterburner and middle detent, use the included wrench to turn the screw on the detent adjustment mechanism counterclockwise, move the detent to desired position, and then tighten the screw by turning them clockwise.



06 Throttle Grip Vibration Function



The throttle grip has a telemetry vibration function to indicate the aircraft's airspeed changes:

1. Launch the MOZA Cockpit software.
2. Go to the throttle settings page and select vibration settings.
3. In the settings page, you can adjust the following according to your preferences:
 - Vibration Strength: Adjust the strength of the vibration for more intense airspeed feedback.

Notes: Ensure the device is correctly connected and configured in the MOZA Cockpit.

07 Specifications

- Supported Platform: PC
- Resolution: 15-bit
- Throttle Grip Material: Aluminum Alloy
- Throttle Panel Material: Composite Material
- Rated Voltage: 5V
- Rated Current: 0.22A
- Connection Ports: USB Type-B, RJ11
- Mounting Method: Mounts on a desktop with desk clamp or directly onto flight simulator cockpits.
- Desktop Clamp: Optional
- Mounting Plate: Optional

08 Precautions

- Do not expose the device to liquids or humidity as it may cause fire or electric shock.
- Avoid using the device in direct sunlight.
- Do not use MOZA flight sim gear with the MOZA racing gear.
- Recommended indoor temperature: 5°C ~ 35°C.
- For your safety and well-being, please monitor your gaming time and take breaks as needed.
- The device is not suitable for children under the age of 6, small accessories may pose a choking hazard!
- Children under 13 should have adult supervision.
- It is strictly forbidden to disassemble the equipment by yourself, failure to adhere to this will result in loss of warranty.
- The equipment must be connected with the factory-supplied power supply to ensure the electrical safety and the protection of user rights and interests.
- In order to ensure user safety, parts repair or replacement can only be carried out by officially authorized repair centers.
- Non-standard power supplies are strictly prohibited even if data such as related voltages match.
- Use only AC power provided by a standard wall outlet to avoid damage to the product.
- Do not expose the device to heat sources.
- Unplug the power cord of the device if it will not be used for a long time.
- If you find any abnormality, please stop using it immediately and seek help from MOZA representatives or authorized repair centers.
- Stay tuned to our official website and social media platforms for the latest product updates.