

MOZA
FLIGHT



Quick Guide



售后客服

MH16 Flightstick

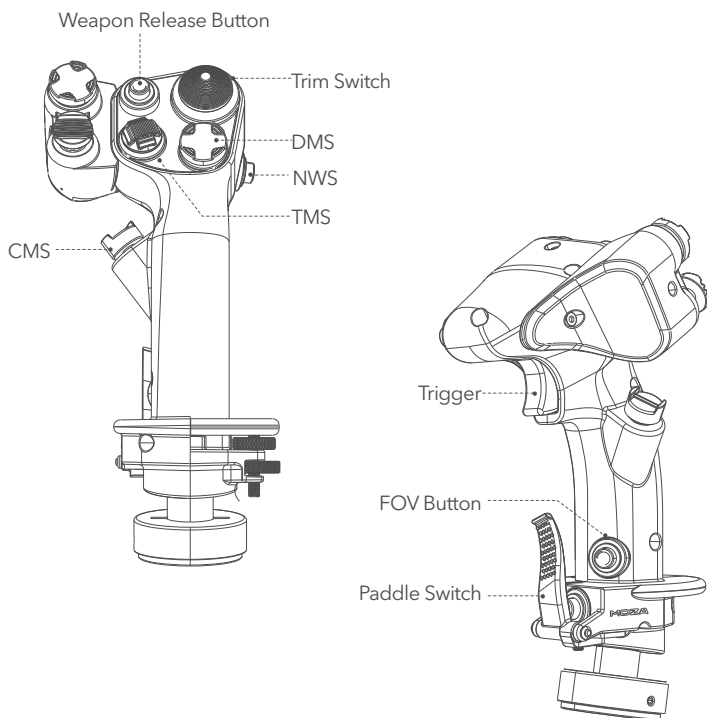


User Manual 使用说明书

01 Product Introduction

- Aluminum Alloy Construction
- Classic Design
- Detachable Modular Components
- 30 Input Signals
- ALPS Switches
- Open Ecosystem

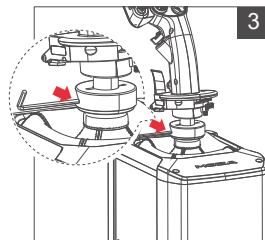
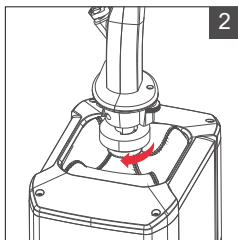
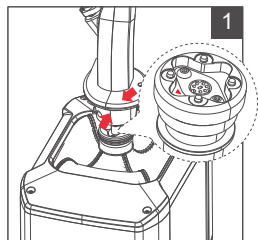
02 Buttons



03 User Guide

Connecting the Base

1. Pull out the connection cable from the flight stick. Connect the flight stick to the aviation base connector in the direction indicated by the forward facing arrow.
2. Tighten the nut ring on the flight stick by turning it clockwise.
3. Use the provided wrench to secure the connection.



Installing and Removing the Side Modules

1. To remove the side-mounted component, use the included wrench 1 to unscrew the M3 screw at position 1, then use wrench 2 to unscrew the M2 screw at position 2.



2. To install the side module, align the pogo pins on the module with the corresponding slots and tighten the screws using the wrench. After powering on the flight stick, check if the light in the lower-left corner of the side module is on to ensure a proper power connection.



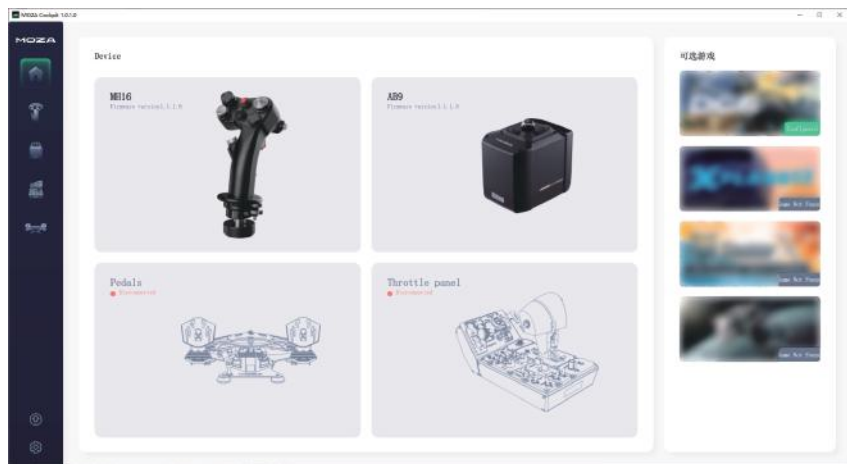
Adjusting the Hand Rest

1. Remove the protective cover from the hand rest screws.
2. Turn the lower screw counterclockwise to adjust the hand rest height to your preference.
3. Turn the upper nut clockwise to secure the hand rest in place, then reattach the protective cover.

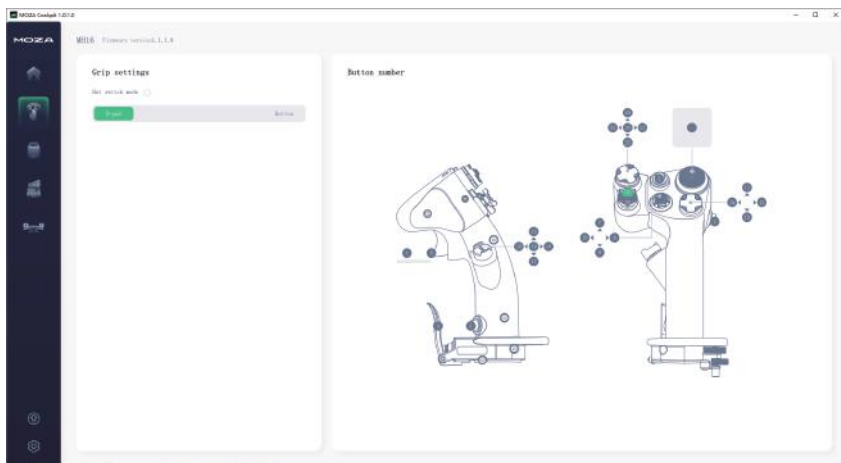


04 Software Guide

Check the status of all connected devices (base, flight stick, throttle, rudder pedals, etc.) and launch games direct from the MOZA software.



The flight stick features two modes: D-pad mode, providing 30 signals, and hat switch mode, offering 26 signals. The hat switch can be mapped as a joystick (axis) or assigned to any button signals.



05 Specs

Platform: PC

Main Body Material: Aluminum alloy

Rated Voltage: 3.3V

Rated Current: 5A

Connector: 5-pin aviation connector

Z-axis Module: Optional

Size: 99x213.5x132mm

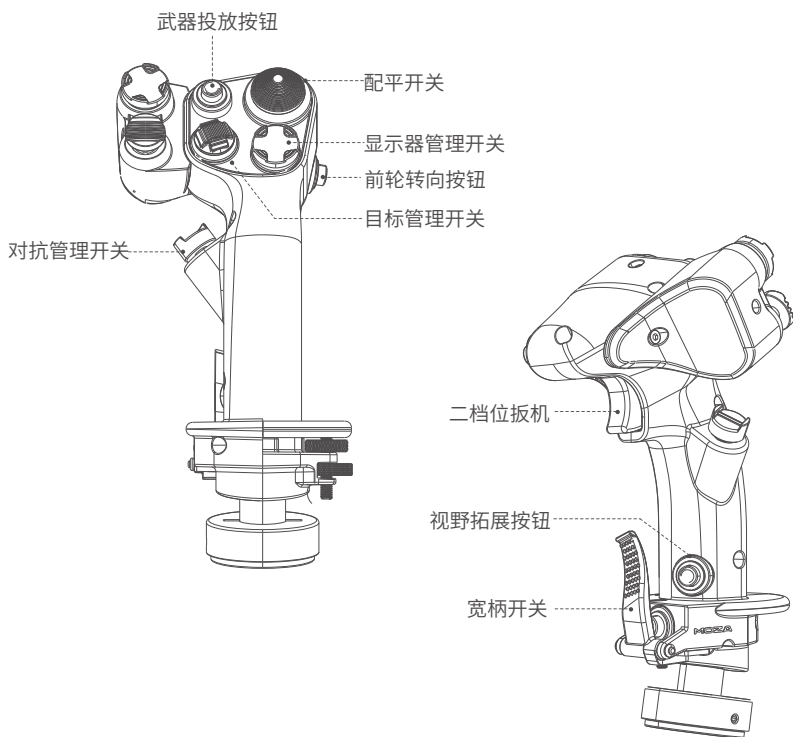
06 Precautions

- Do not unscrew the nuts by hand to avoid injury.
- Do not expose the device to liquids or humidity as it may cause fire or electric shock.
- Avoid using the device in direct sunlight.
- Do not use MOZA flight sim gear with the MOZA racing gear.
- Recommended indoor temperature: 5°C ~ 35°C.
- For your safety and well-being, please monitor your gaming time and take breaks as needed.
- The device is not suitable for children under the age of 6, small accessories may pose a choking hazard!
- Children under 13 should have adult supervision.
- It is strictly forbidden to disassemble the equipment by yourself, failure to adhere to this will result in loss of warranty.
- The equipment must be connected with the factory-supplied power supply to ensure the electrical safety and the protection of user rights and interests.
- In order to ensure user safety, parts repair or replacement can only be carried out by officially authorized repair centers.
- Non-standard power supplies are strictly prohibited even if data such as related voltages match.
- Use only AC power provided by a standard wall outlet to avoid damage to the product.
- Do not expose the device to heat sources.
- Unplug the power cord of the device if it will not be used for a long time.
- If you find any abnormality, please stop using it immediately and seek help from MOZA representatives or authorized repair centers.
- Stay tuned to our official website and social media platforms for the latest product updates.

01 产品介绍

- 航空级铝合金机身
- 经典外观
- 可拆拓展组件
- ALPS开关
- 30个可编程操作按钮
- 兼容第三方基座

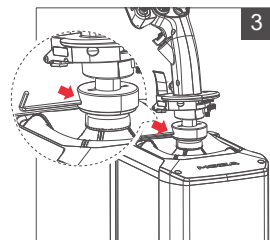
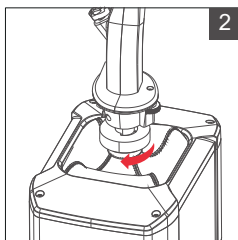
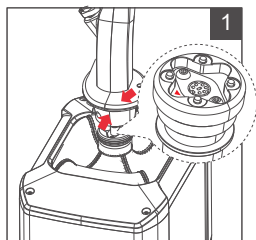
02 操纵杆按钮介绍



03 使用教程

连接基座

1. 抽出操纵杆的连接线，将连接线航空头上的箭头与基座刻度线对齐后插入到底，保证连接线稳固
2. 顺时针方向旋紧操纵杆上的螺母环
3. 用附赠的扳手进一步增大旋紧力，直到操纵杆与基座之间的连接稳固



拆装侧装组件

1. 如需拆卸侧装组件，用附赠的扳手1拧下位置1的 M3螺丝，再手扳手2拧下位置2的M2螺丝



2. 如需使用侧装组件，先对齐PogoPIN针脚后再用附赠的扳手拧紧螺丝，给操纵杆通电后，查看侧装组件左下方的灯光是否亮起，如有亮起则为正常通电



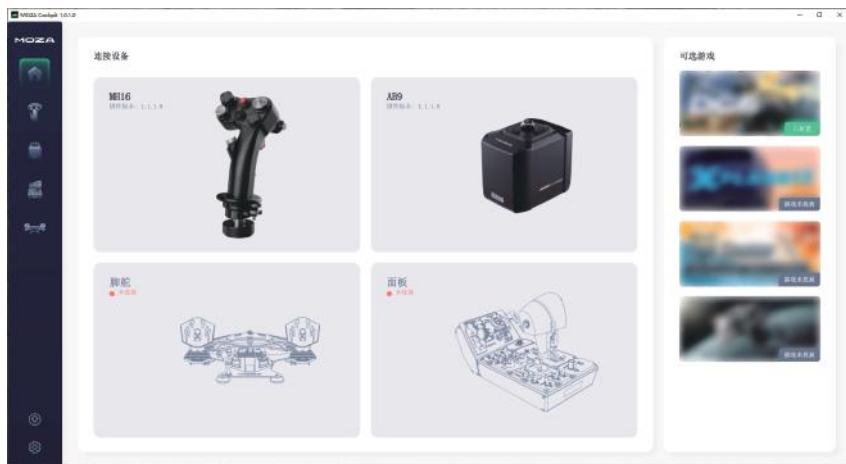
手拖调整

1. 如要使用手拖, 先将手拖螺丝的防护套取下
2. 逆时针旋转下方螺丝, 直到理想的手拖高度
3. 顺时针旋转上方螺母, 直到手拖紧固不松动, 最后再将防护套装回

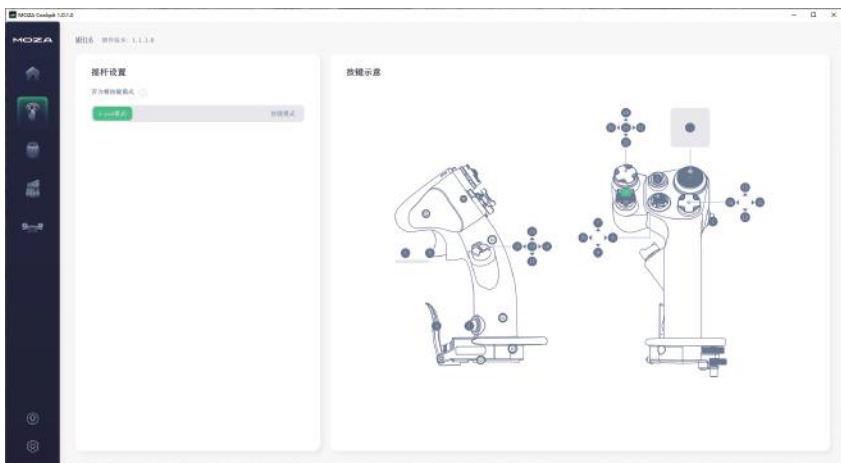


04 软件介绍

主页面可以查看已连接的设备工作状态, 包含基座, 操纵杆, 油门, 脚舵等, 同时可以快捷启动游戏



在摇杆设置中,可以设置D-pad模式(30信号)和按键模式(26信号),可以将按键映射为摇杆(轴),也可以任意映射成需要的按键信号



05 规格表

支持平台:PC

主体材料:航空级铝合金

额定电压:3.3V

额定电流:5A

接口:5PIN航空插头

Z轴模组:可选配

尺寸:99x213.5x132mm

06 注意事项

- 为保证使用安全,避免刮手,请不要徒手将螺母旋开
- 严禁将设备暴露在雨水以及潮湿的环境中,以避免发生火灾/电击
- 严禁在太阳直射的条件下使用设备
- 严禁接入MOZA赛车模拟器生态产品
- 建议室内温度:5°C ~ 30°C
- 为了您的健康,请合理控制游戏时间
- 设备不适用于6岁以下儿童,小配件可能造成窒息的危险!
- 13岁以下孩童需在家长陪同下使用
- 严禁自行拆解设备,否则将失去质保资格
- 设备必须使用配套出厂的电源进行连接,以保障用电安全及用户权益得到保障
- 为保障相关安全,零部件维修或者更换只能由官方授权维修中心进行
- 即使相关电压等数据匹配,亦禁止使用非标准电源
- 只能使用标准壁式电源插座提供的交流电源以避免对产品造成损坏
- 禁止将设备暴露在热源中
- 长期不使用的情况下,请拔出设备电源线断电
- 如发现有任何异常,请立即停止使用并寻求 MOZA 官方或相关授权中心的帮助
- 请关注 MOZA 官网及公众平台以了解最新的相关产品信息

产品保修卡

| | | | |
|------|--|------|--|
| 产品型号 | | 购买日期 | |
| 用户姓名 | | 用户电话 | |
| 产品条码 | | 通讯地址 | |

经销商信息(签章)

产品保修条例

保修期

自购机日起, 基座主体, 方向盘, 踏板和仪表显示屏保修12个月。设备外壳、说明书、线材、螺丝、扳手、包装等不在"一年免费保修服务"范围内, 但您可以选择有偿服务。

购买者在以下条件下不享受免费保修服务, 但您可以选择有偿服务。

1. 超过三包有效期的；
2. 无三包凭证及有效发票的, 但能够证明该产品在三包有效期内的除外；
3. 包修凭证上的型号与修理产品型号不符或者涂改的；
4. 非本公司特约维修人员拆动造成损坏的；
5. 因不可抗力造成损坏的；
6. 未按产品使用说明书要求使用、维护、保养而造成损坏的。

保修期限鉴于产品部位、不同国家法律法规等差异, 将有所不同。相关国家与区域的保修期限, 请咨询MOZA官方或购买时联系的MOZA授权经销商。

