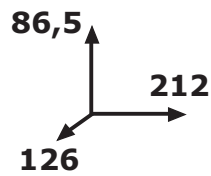
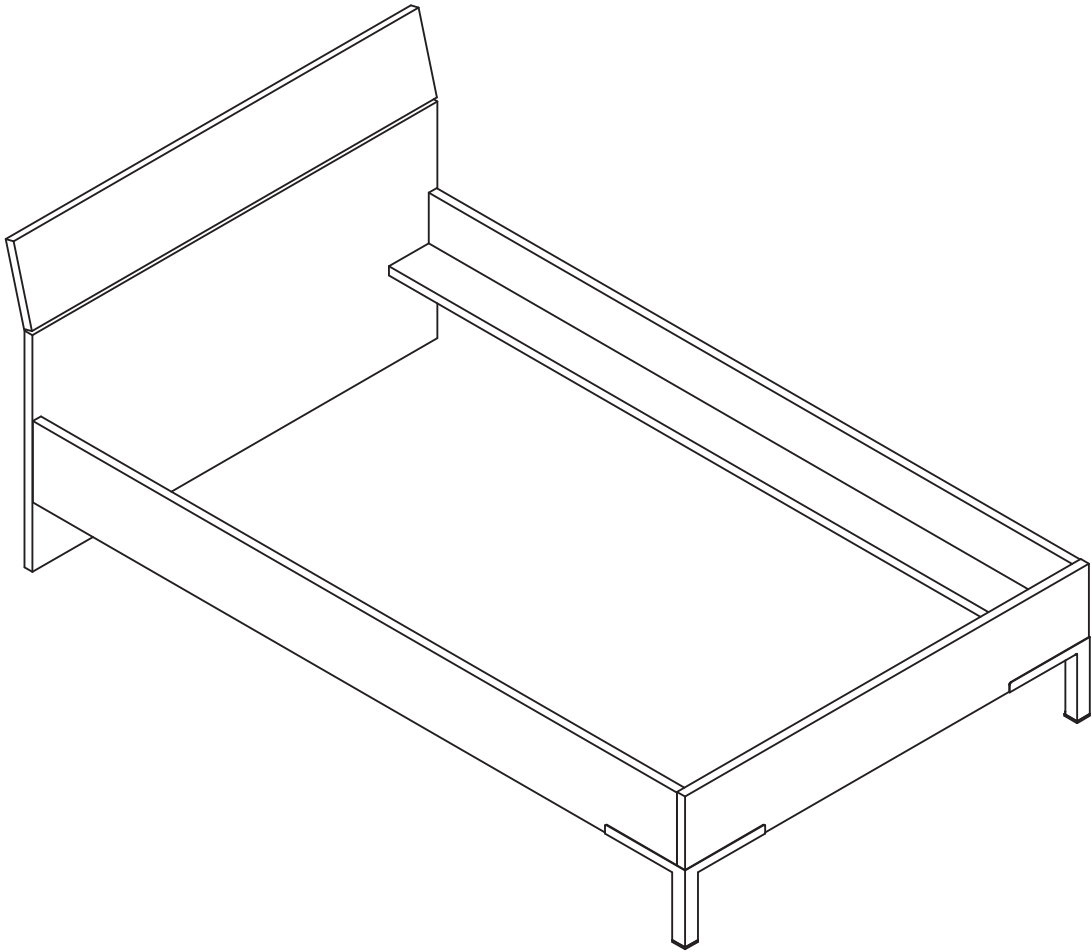
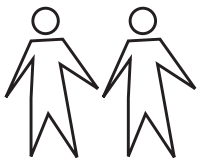


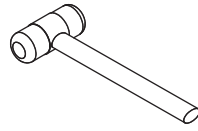
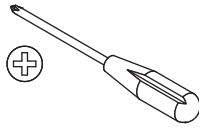
# LT1824K30404



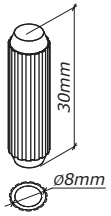
QF3809



1h



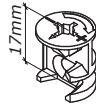
**BU3135**



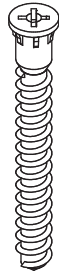
**H1**  
x12



**T28**  
x8



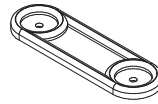
**T92**  
x8



**V57**  
x8



**V10**  
x32



**P16**  
x3

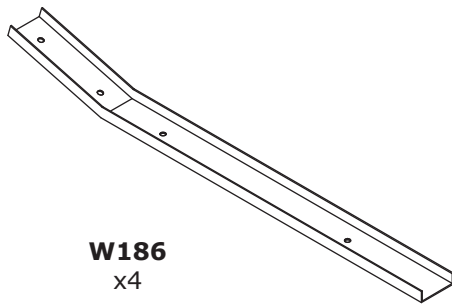


**H15**  
x6



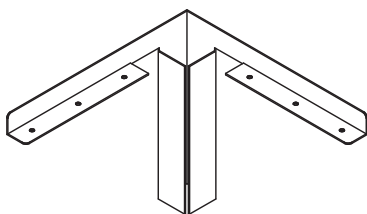
**G57**  
x2

**CF0141**



**W186**  
x4

**CF1823B14004**

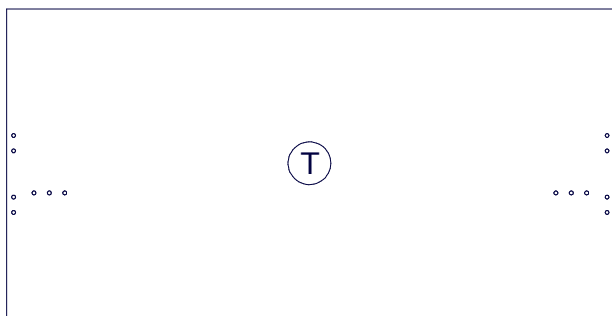
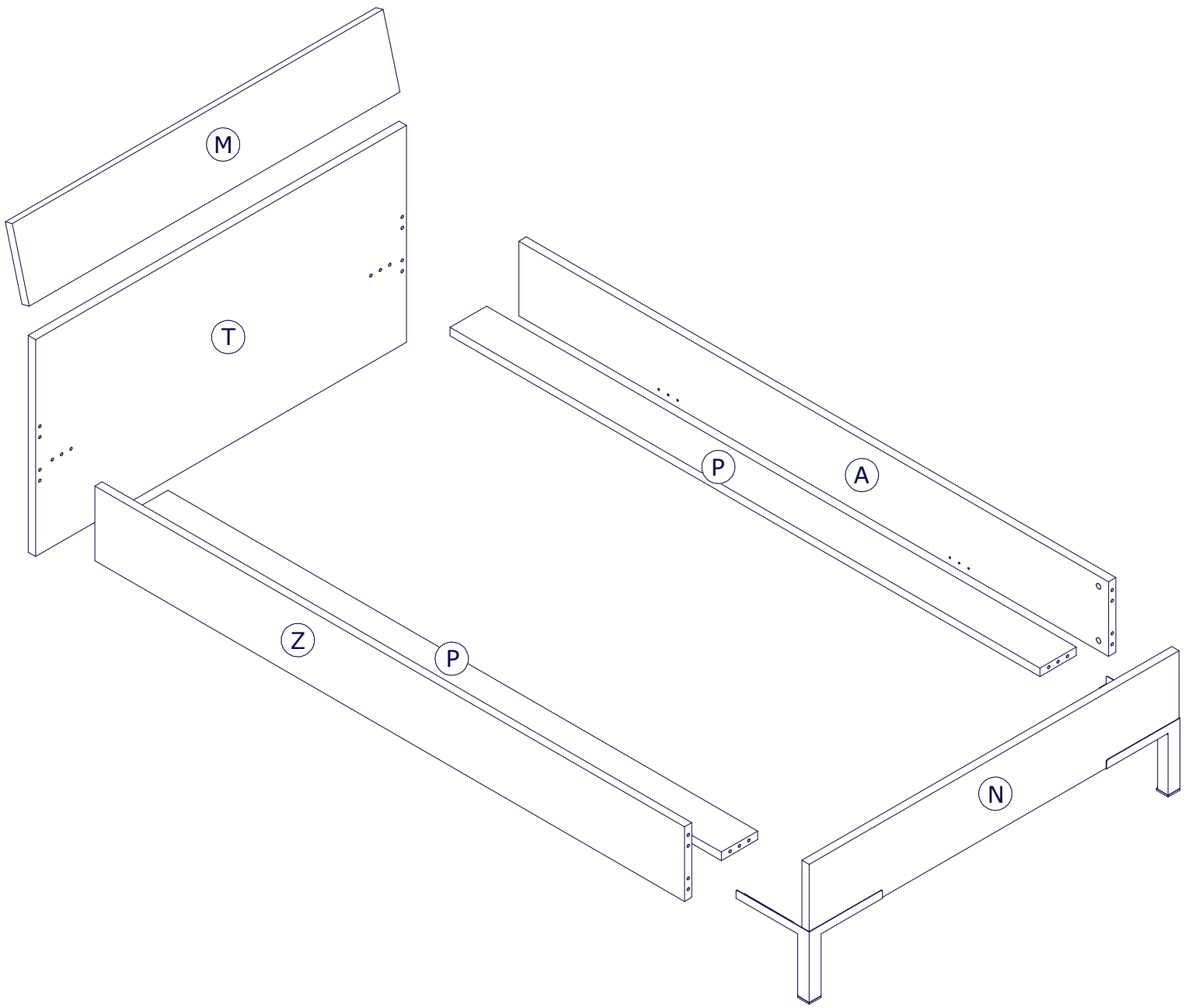


**W327**  
x2

**BU2684**



**V59**  
x12



• **TE0321**  
1264x640x25mm



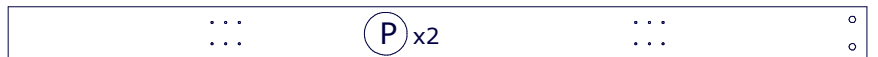
• **TE0319**  
1264x222x25mm



• **PE0147**  
1260x222x25mm



• **SP0385**  
2010x220x25mm

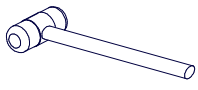


• **FS2208**  
2010x124x25mm

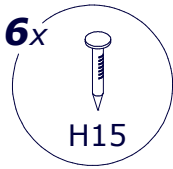


• **SP0387**  
2010x220x25mm

1

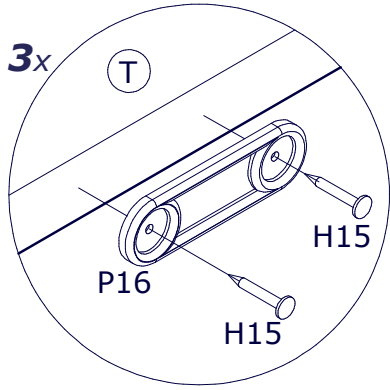


6x



H15

3x

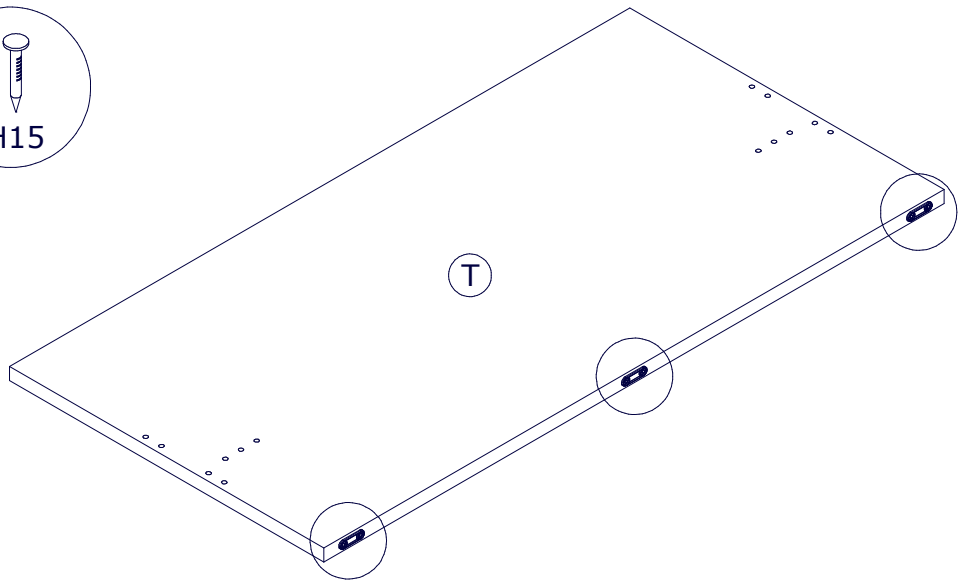


T

H15

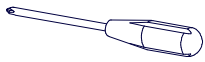
P16

H15

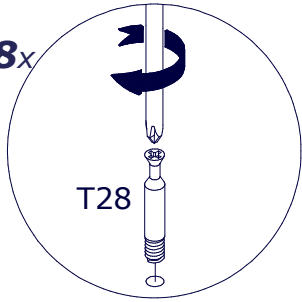


T

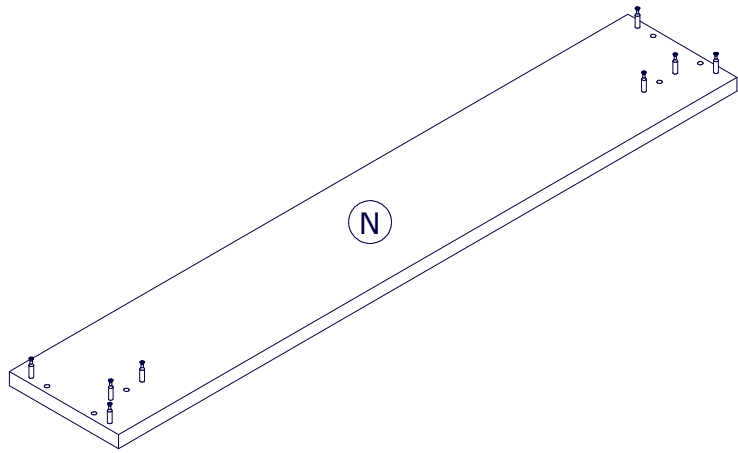
2



8x

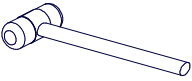


T28

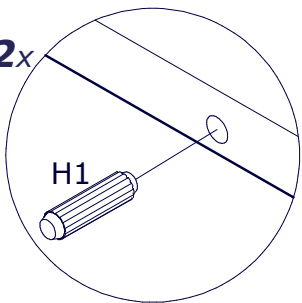


N

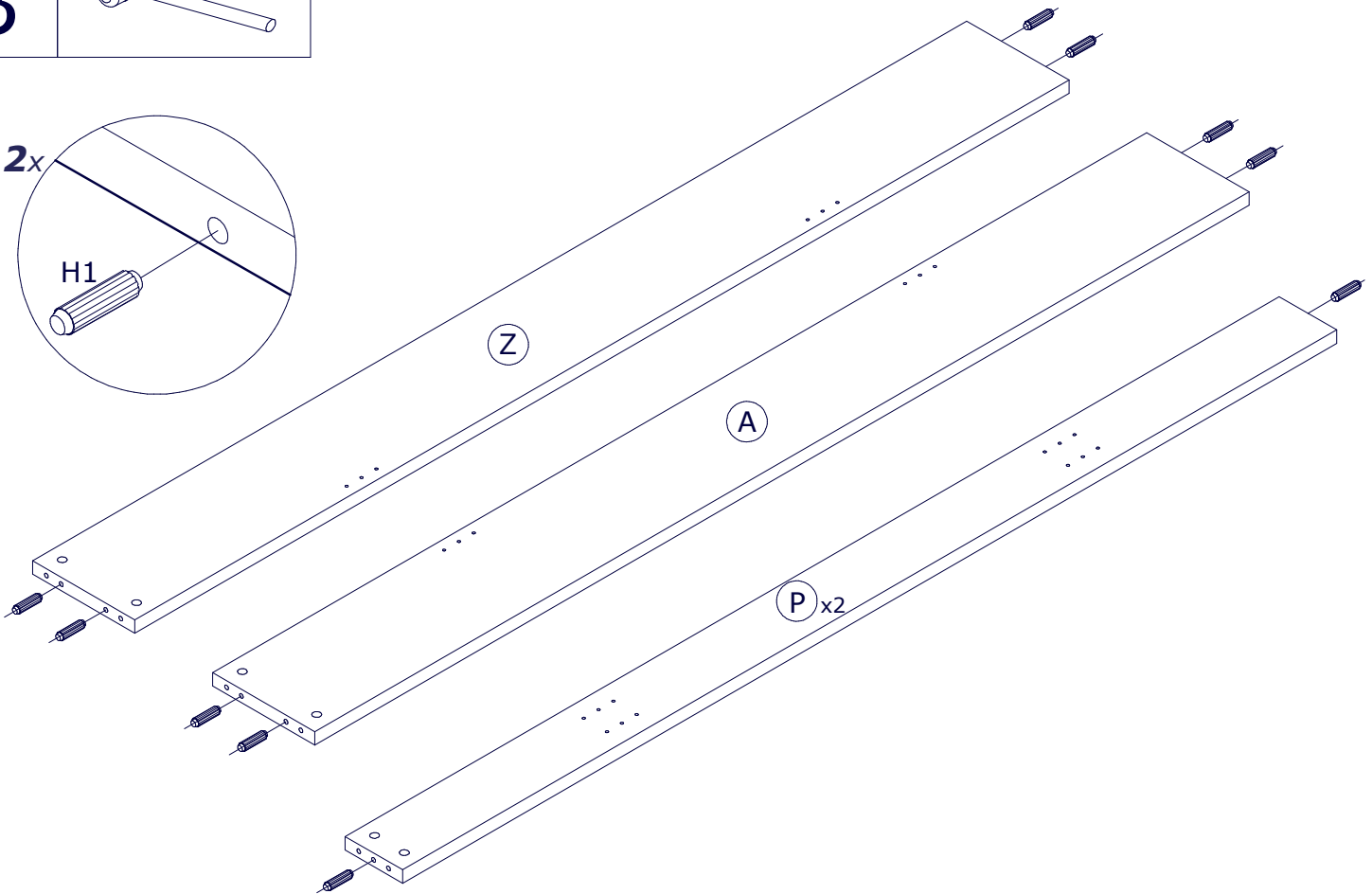
3



12x



H1

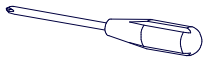


Z

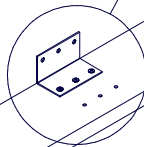
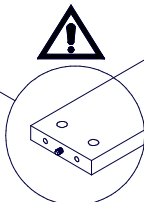
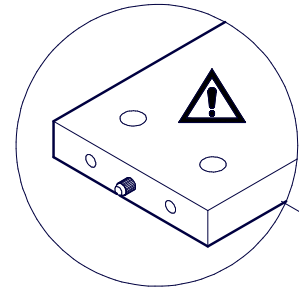
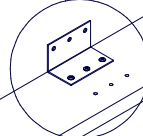
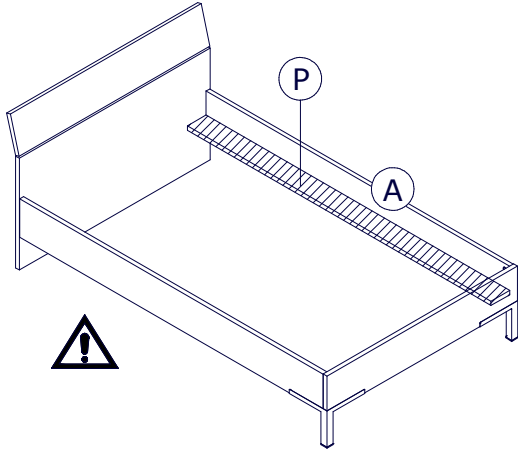
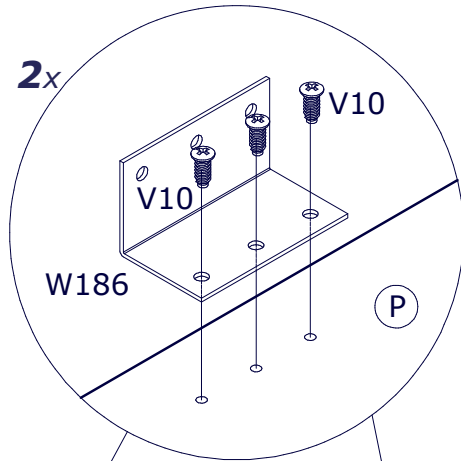
A

P x2

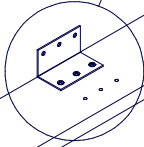
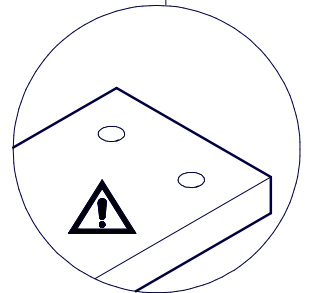
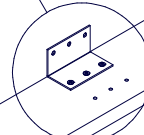
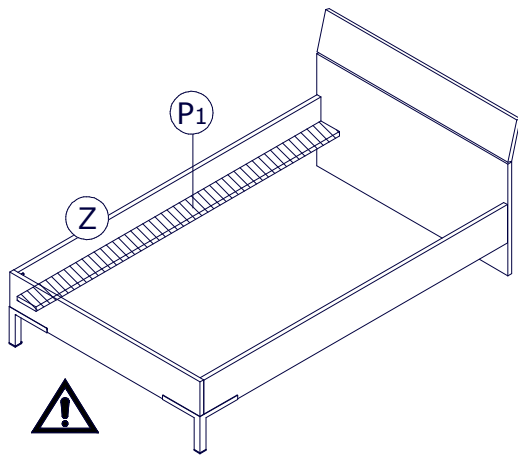
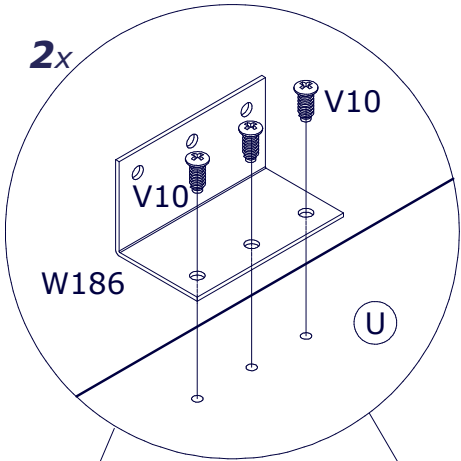
4



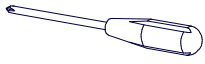
2x



2x



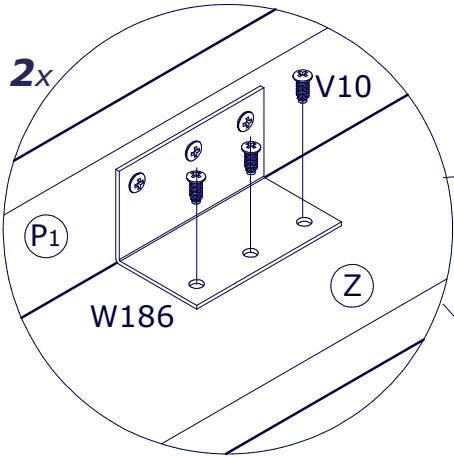
5



6x



2x

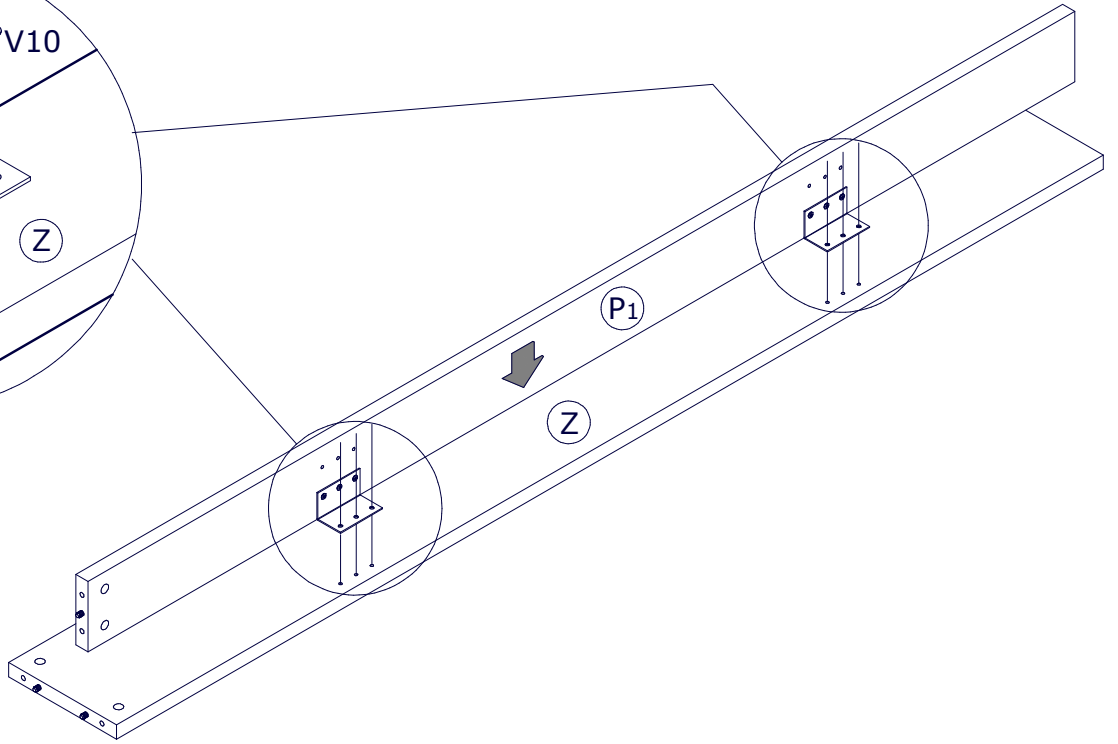


V10

P1

Z

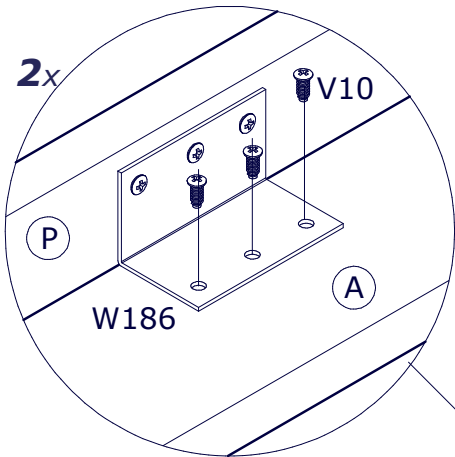
W186



P1

Z

2x



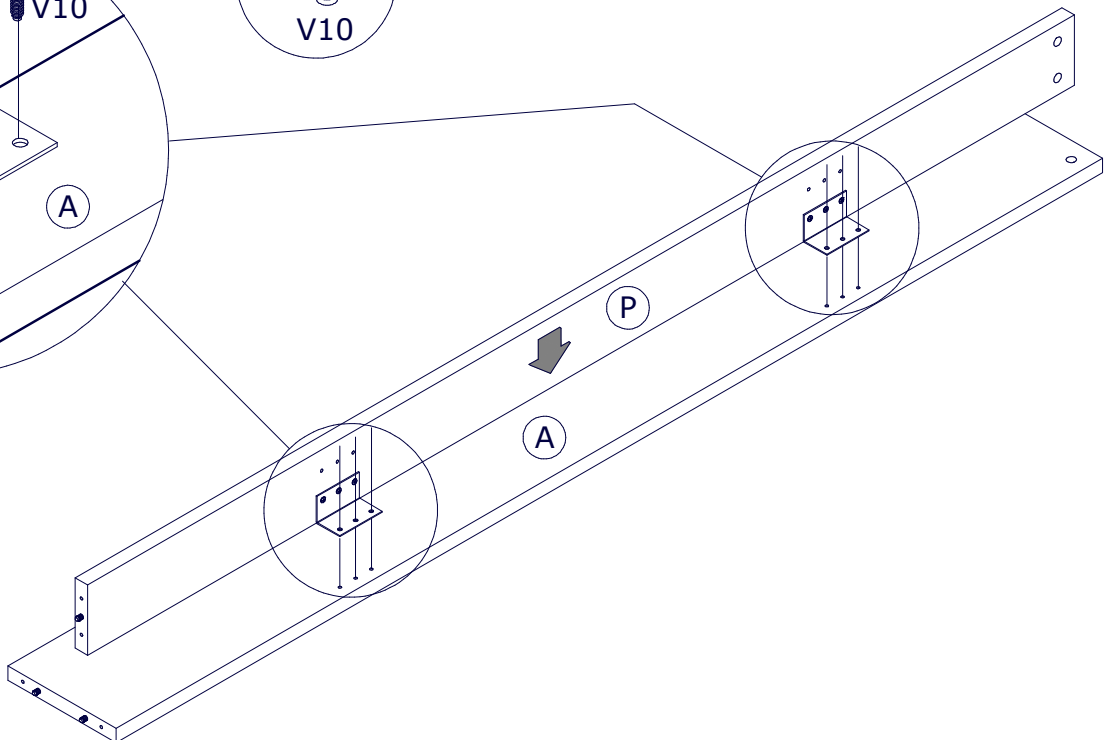
V10

P

A

W186

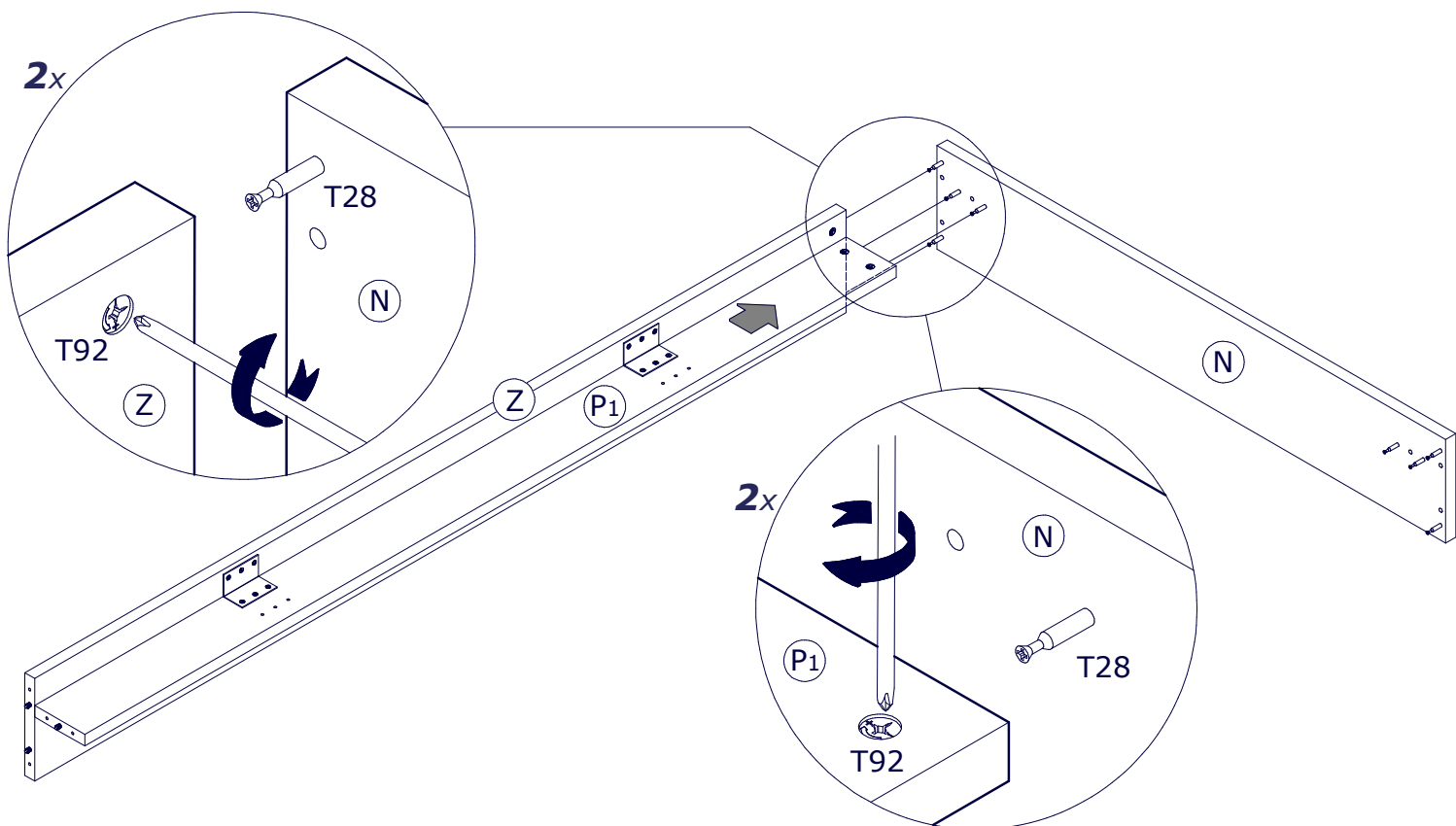
6x



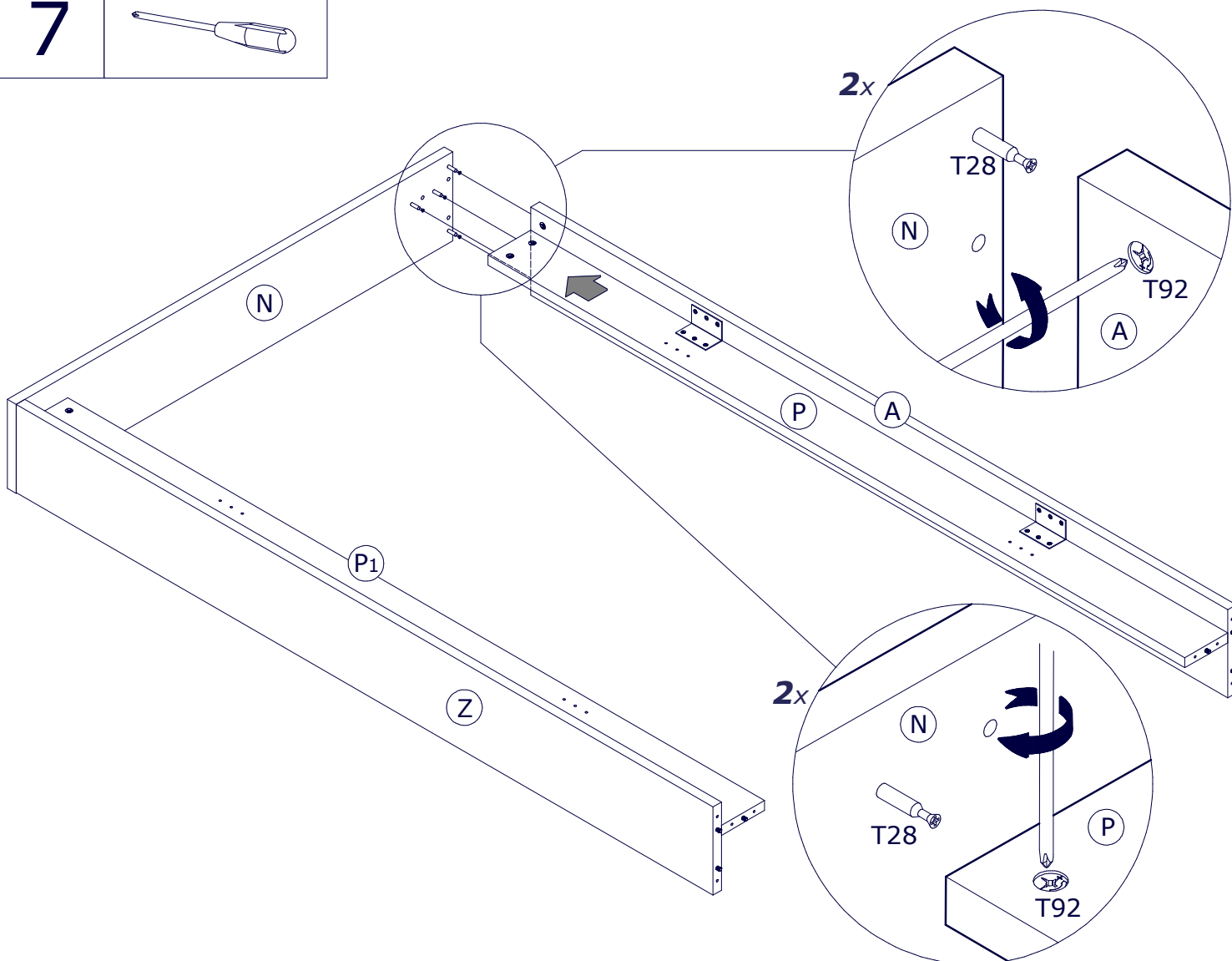
P

A

6



7



8



12x



V59

W327

W327

N

Z

P1

P

A

x2

V59

V59

W327

V59

V59

N

A

Z

9

Z

P1

A

N

N

Z

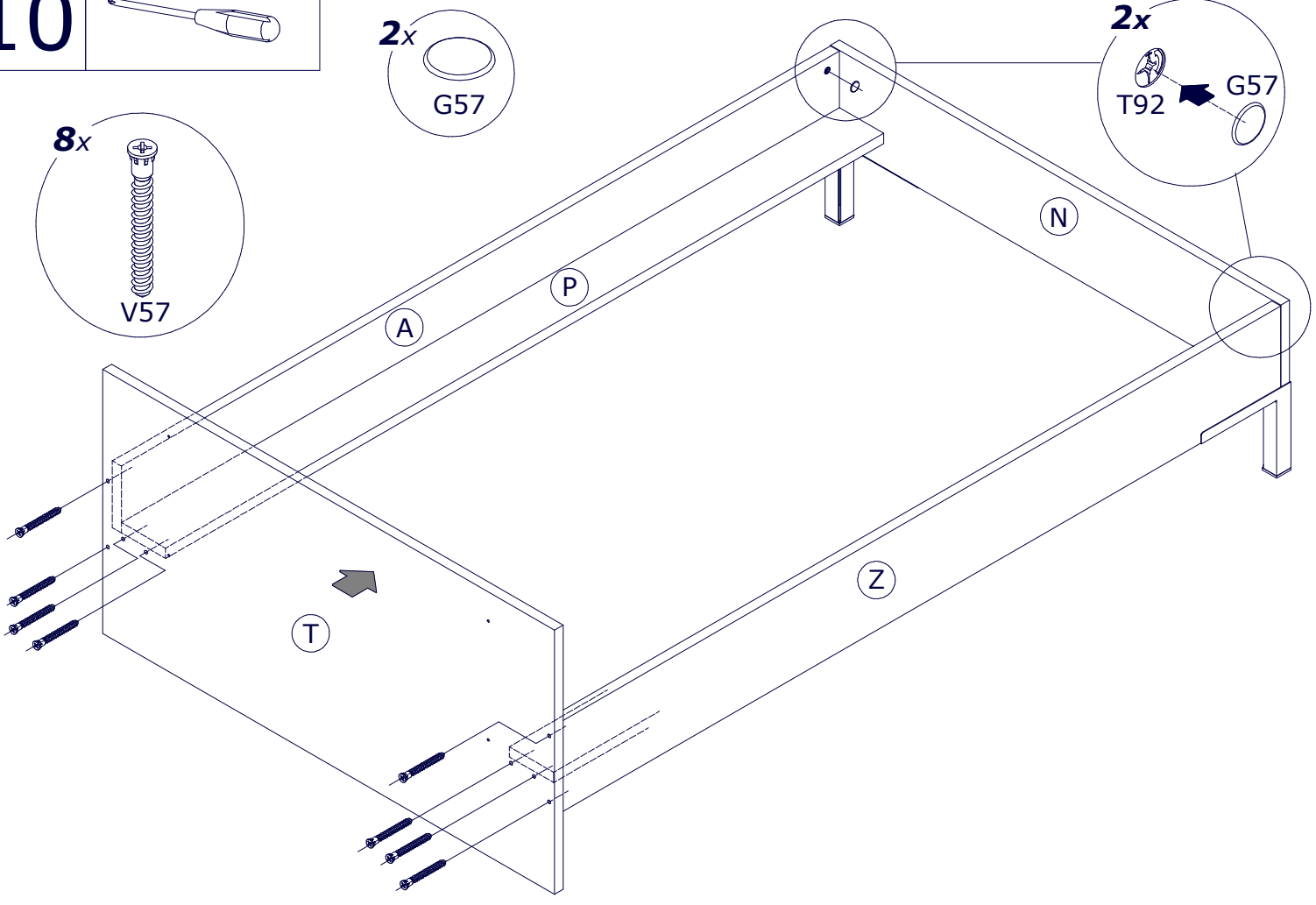
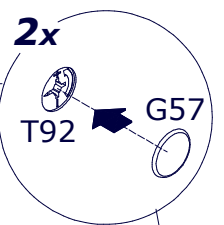
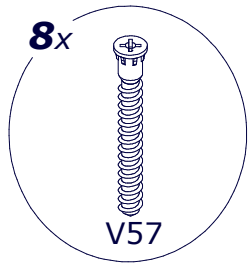
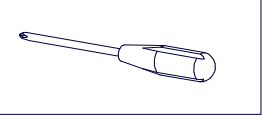
P1

P

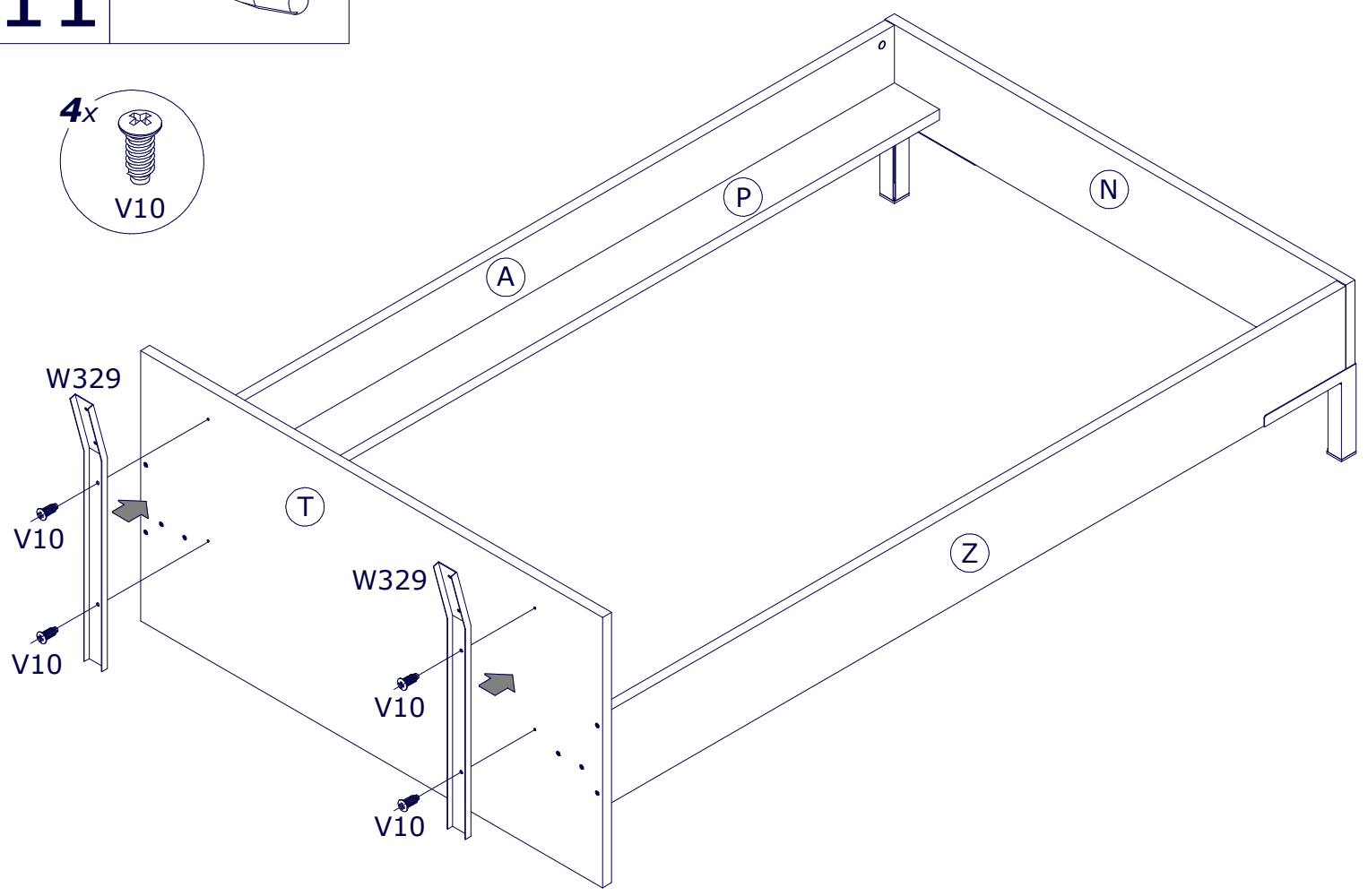
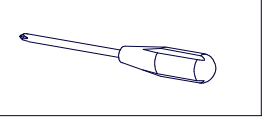
A



# 10



# 11



12

