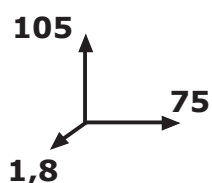
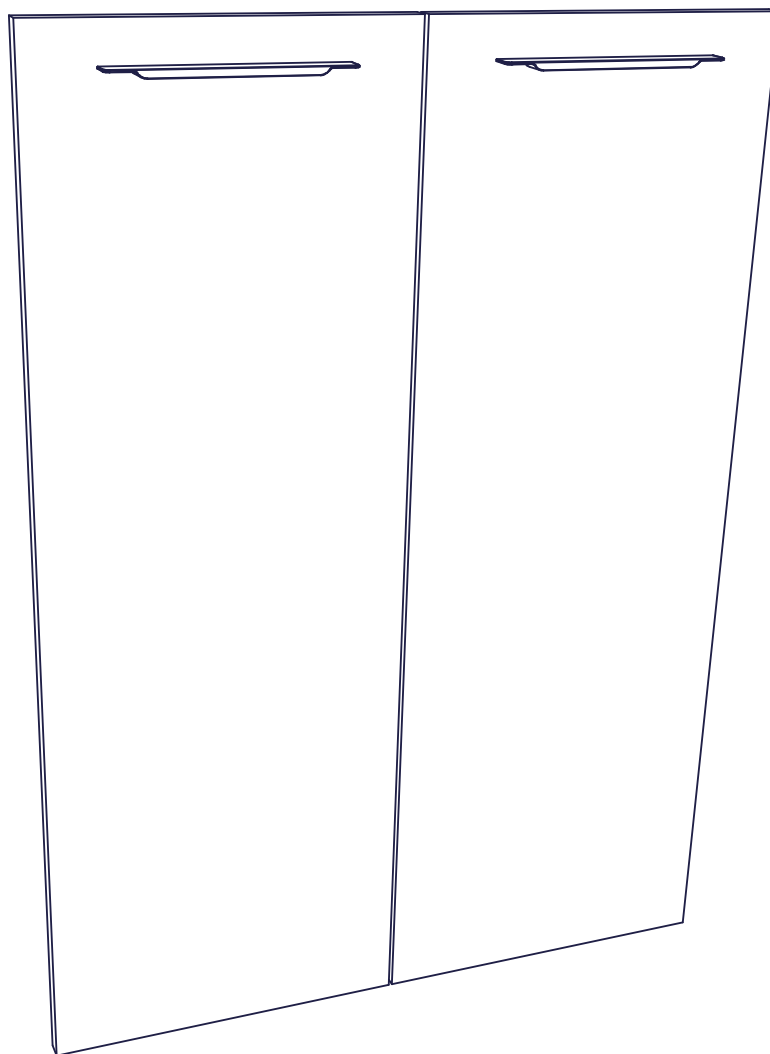
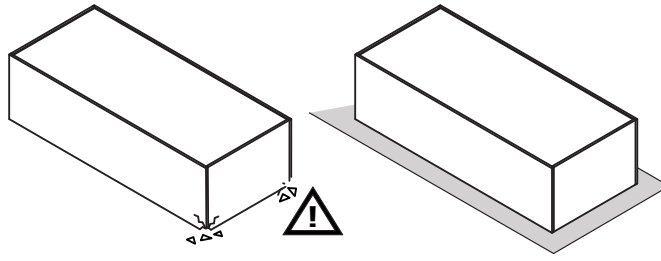
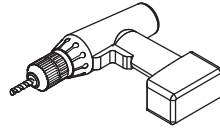
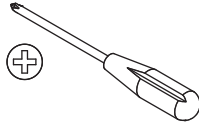
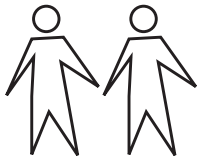


AN4803K30404



QF3545

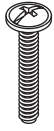


BU2941

BU2927



H113
x4



V137
x4

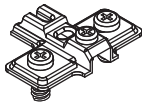


G31
x4

BU0319 x2



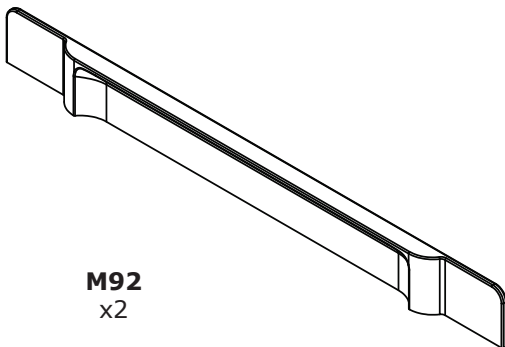
C39
x2



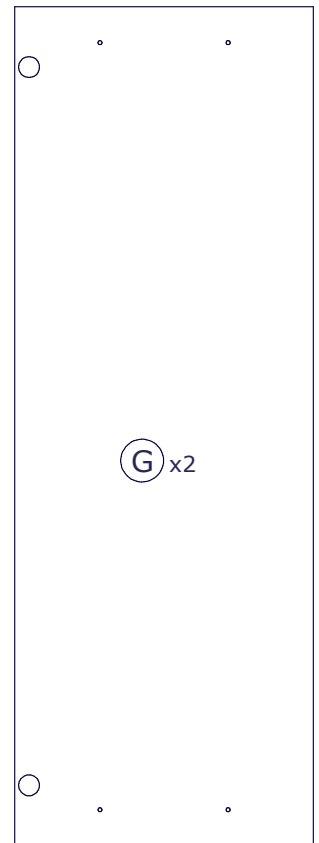
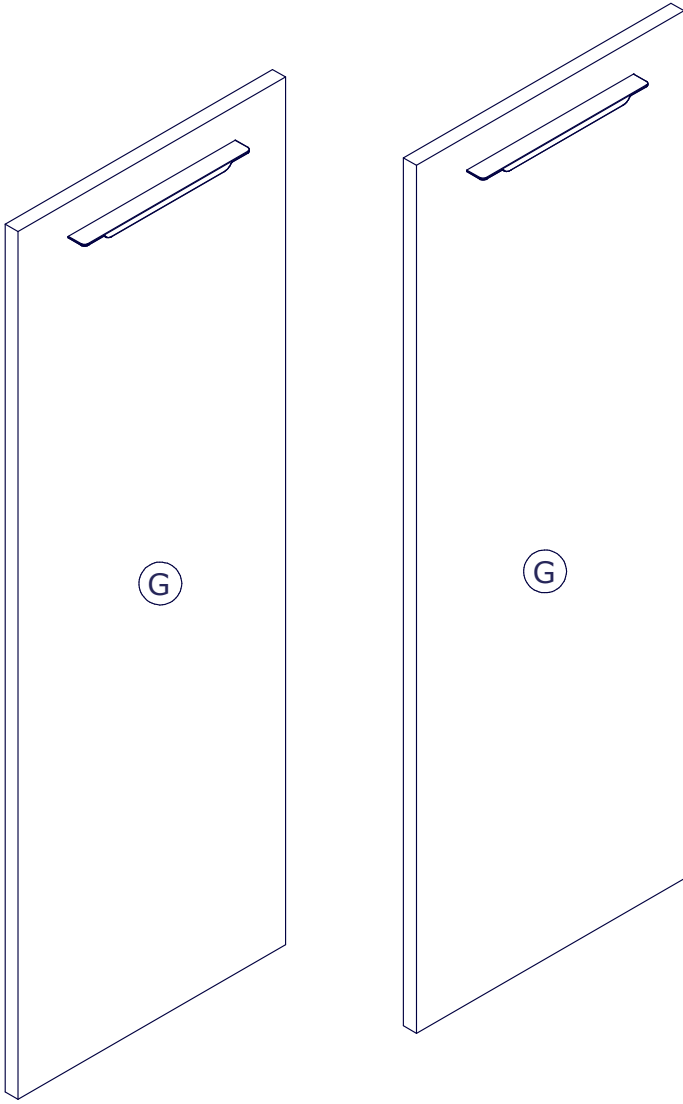
B9
x2



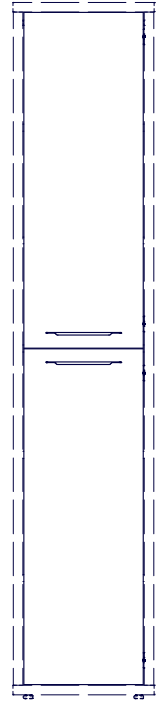
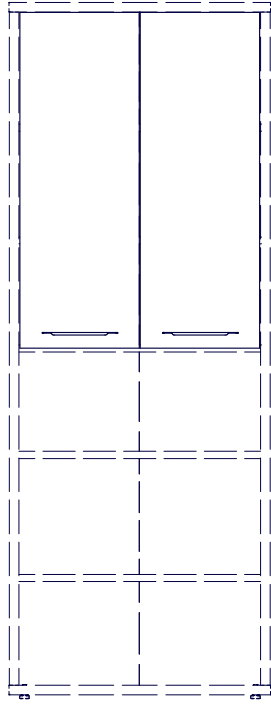
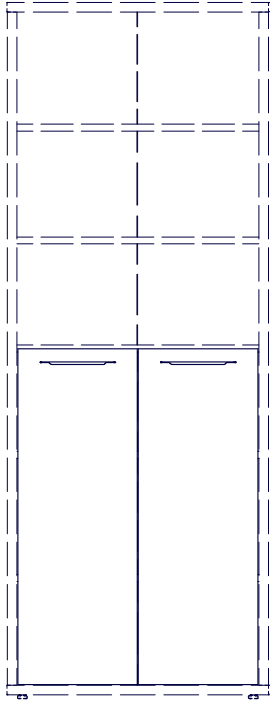
V5
x4



M92
x2



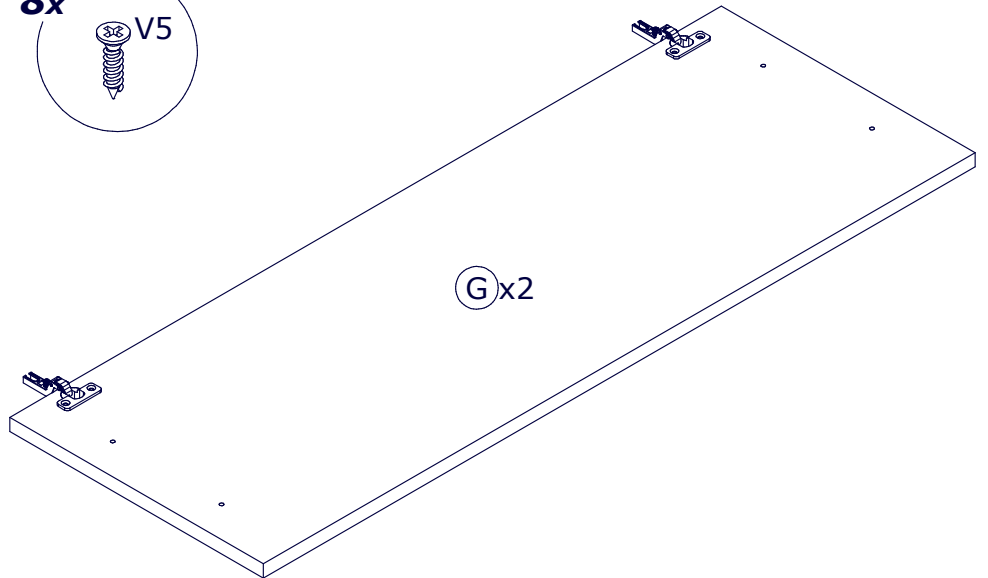
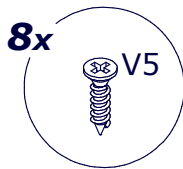
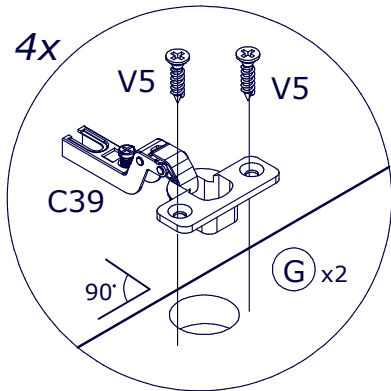
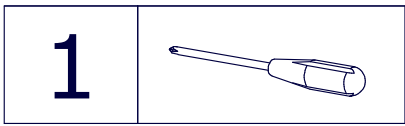
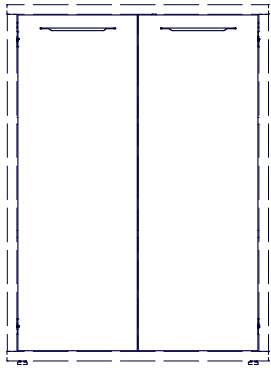
• AN2049
1047x373x18mm



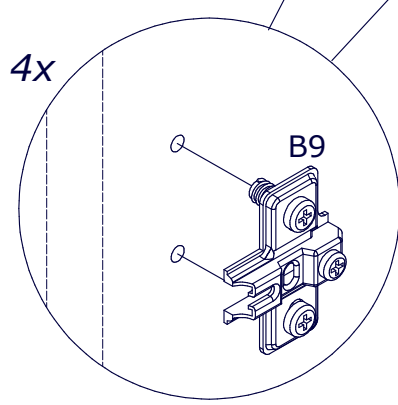
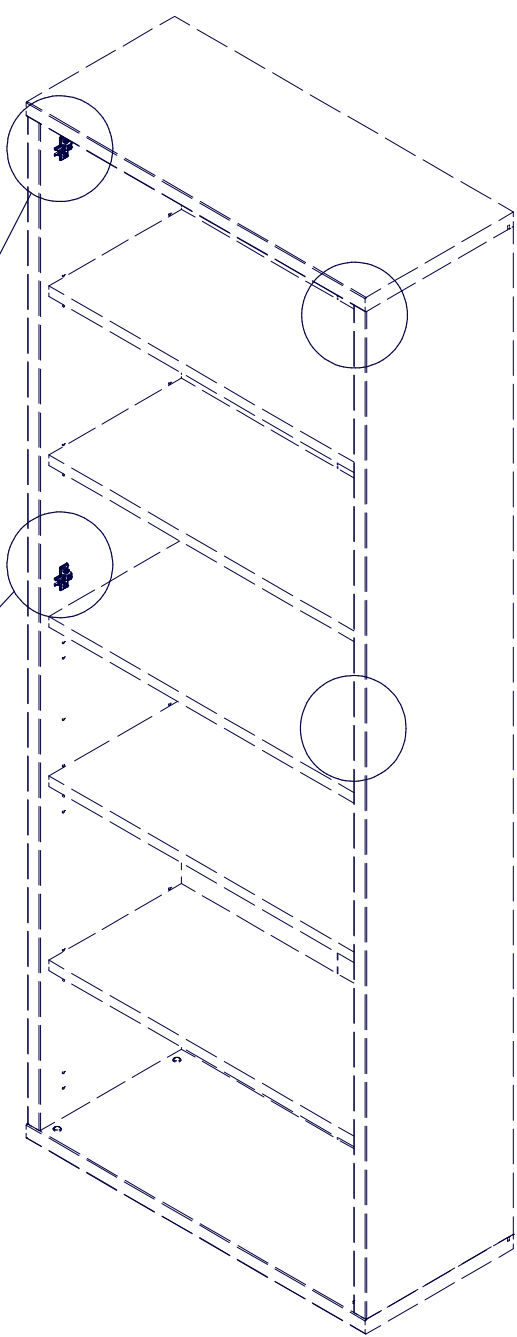
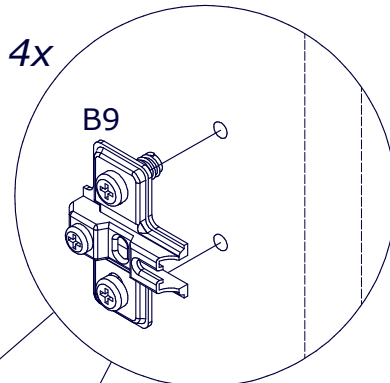
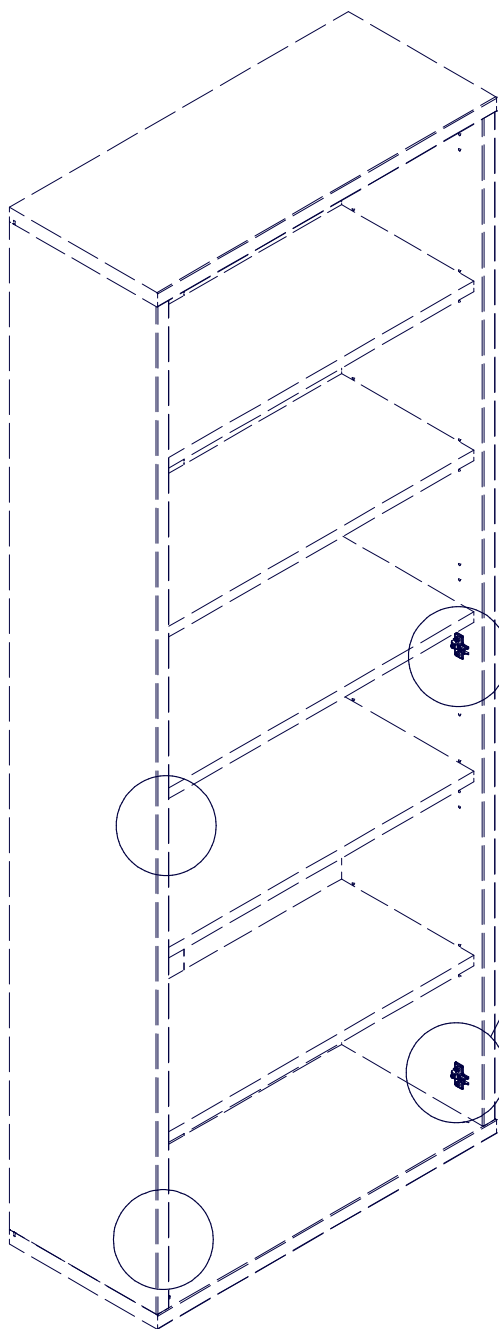
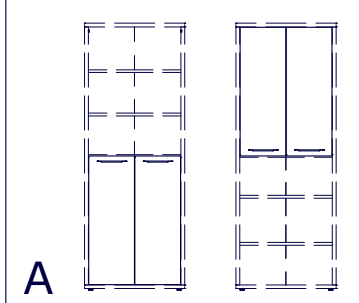
A

B

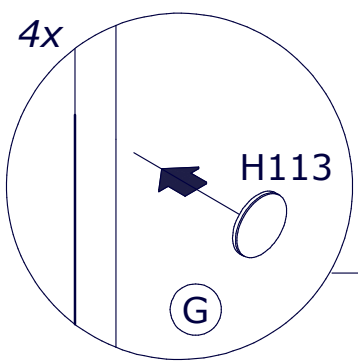
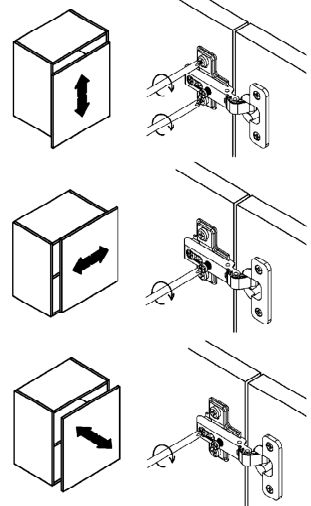
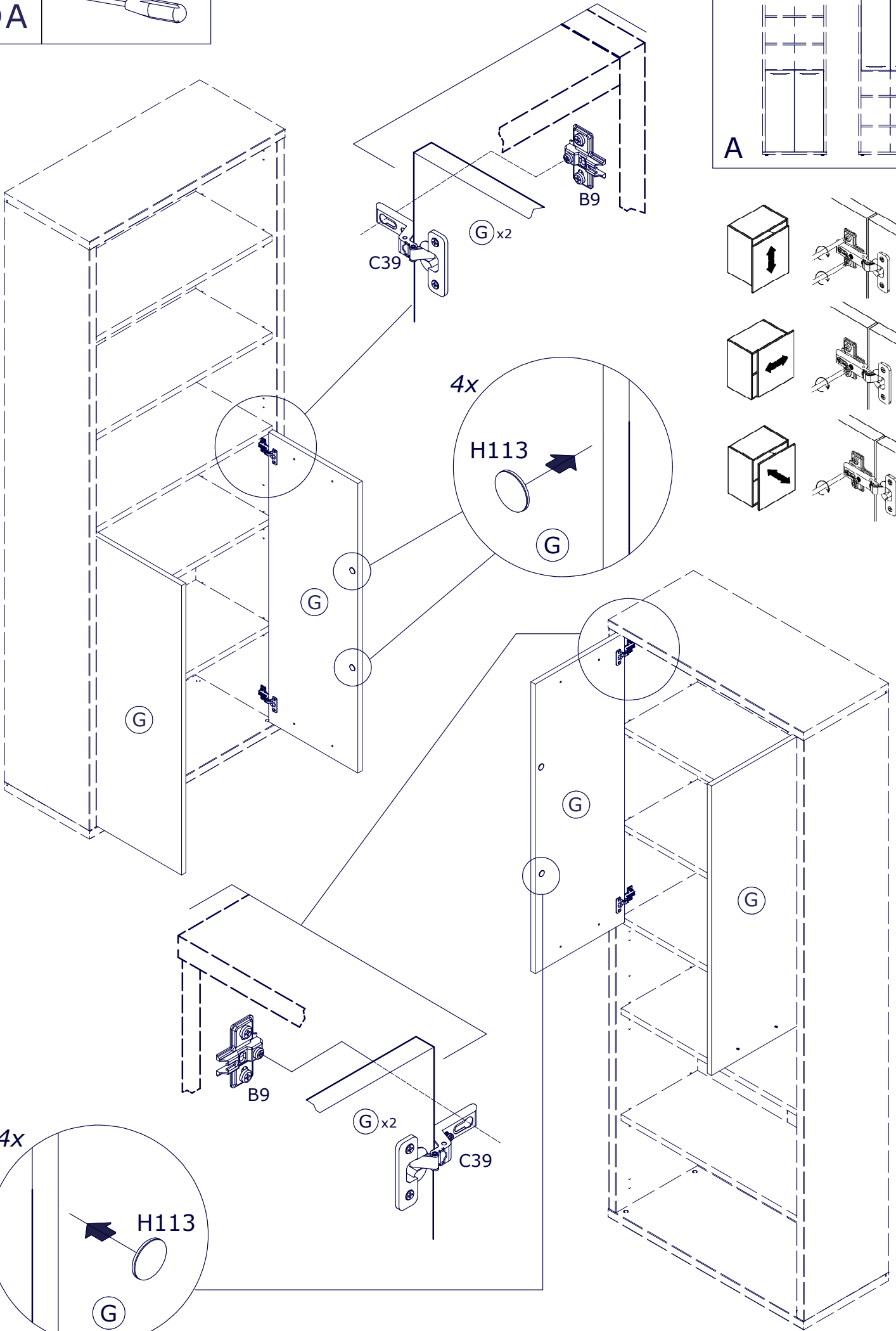
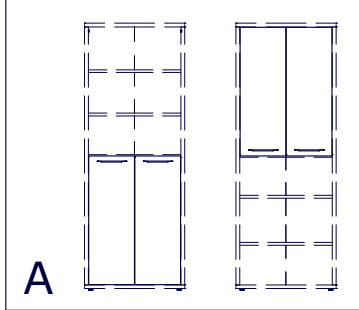
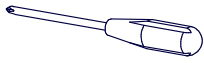
C



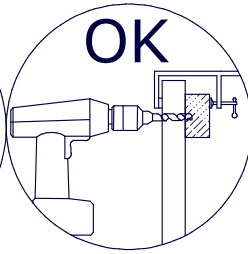
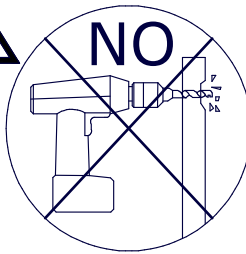
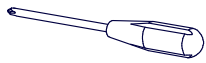
2A



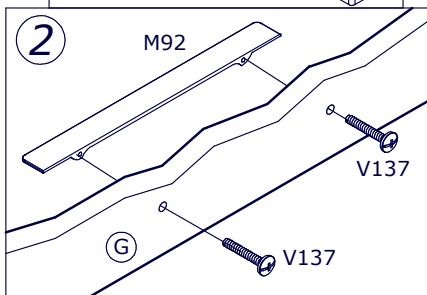
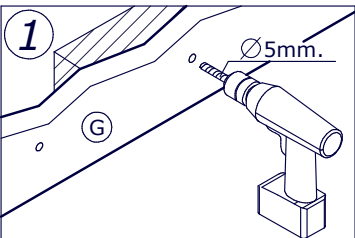
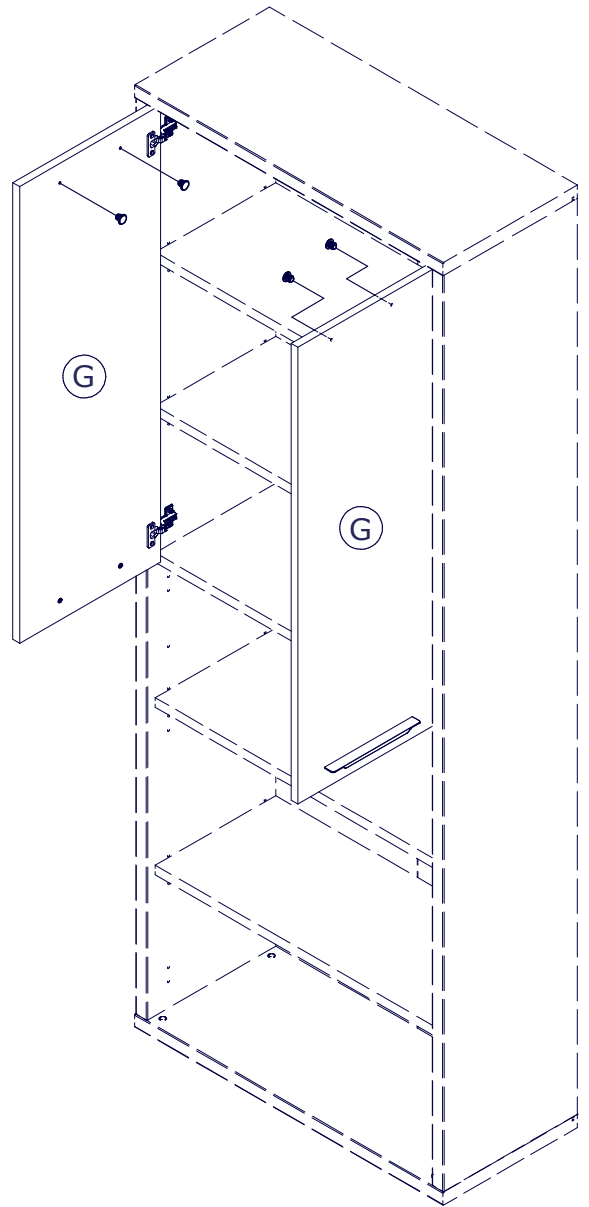
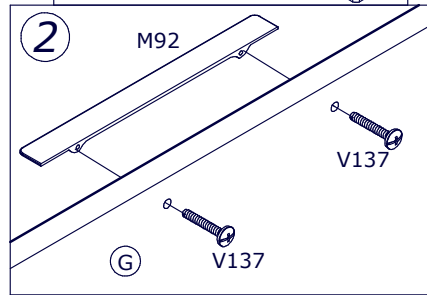
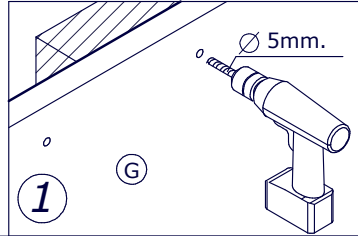
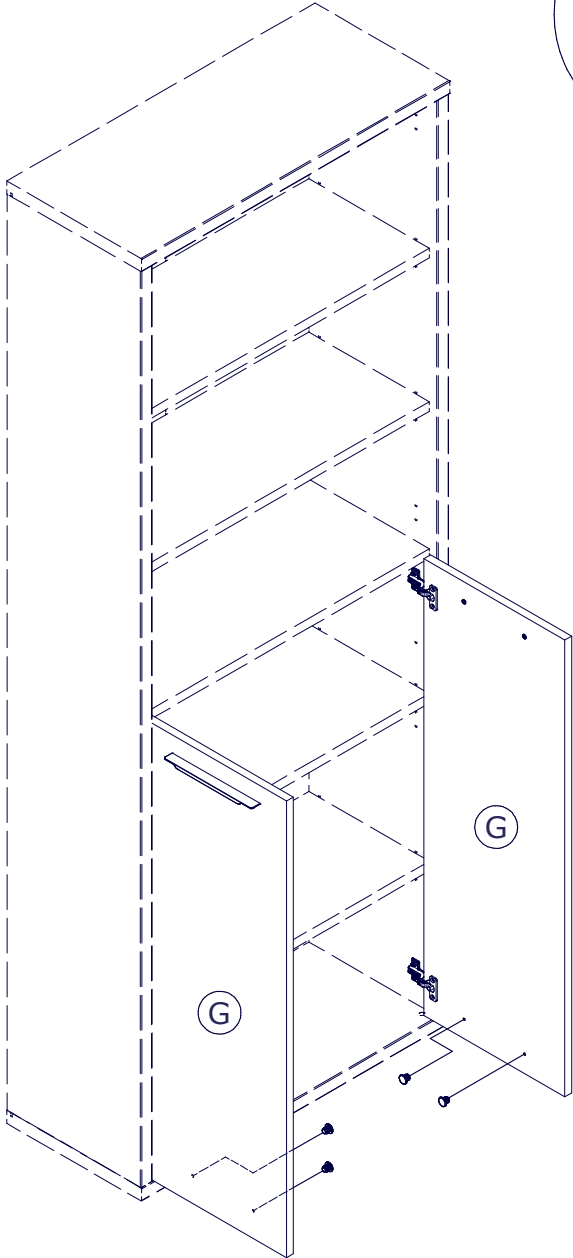
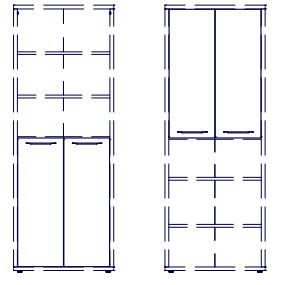
3A



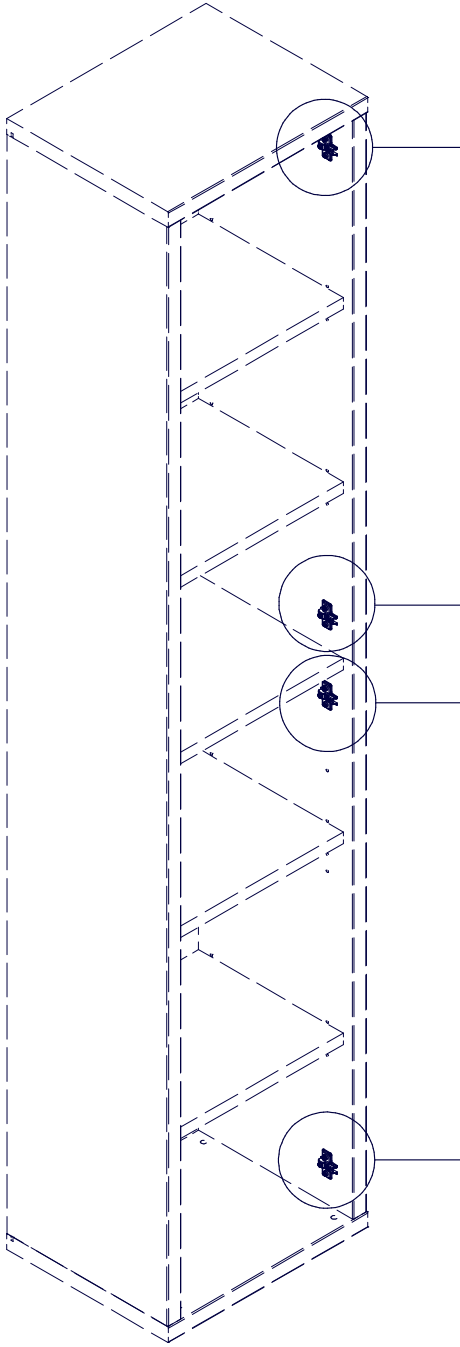
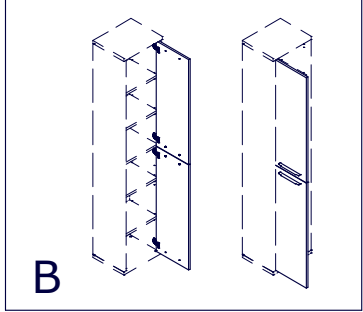
4A



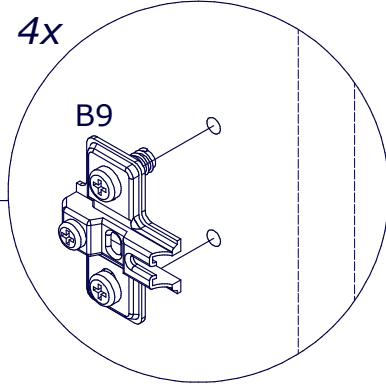
A



2B

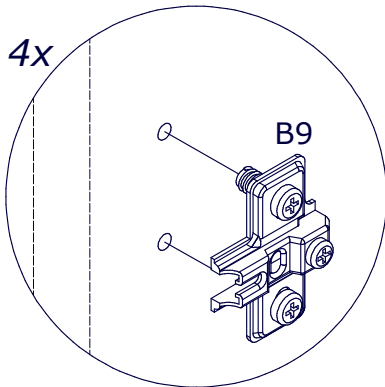


4x

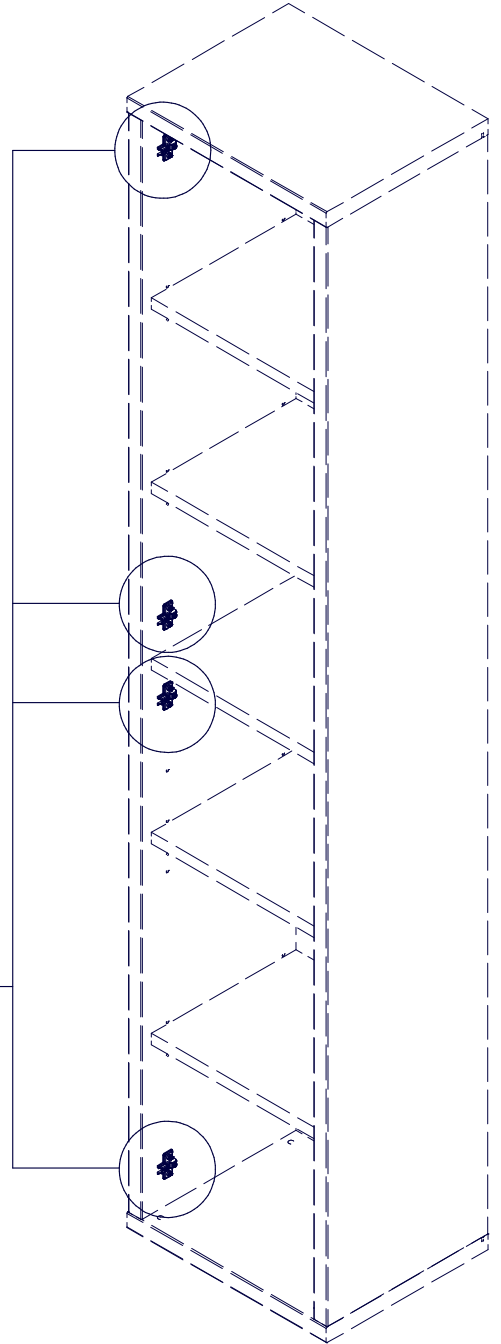


B9

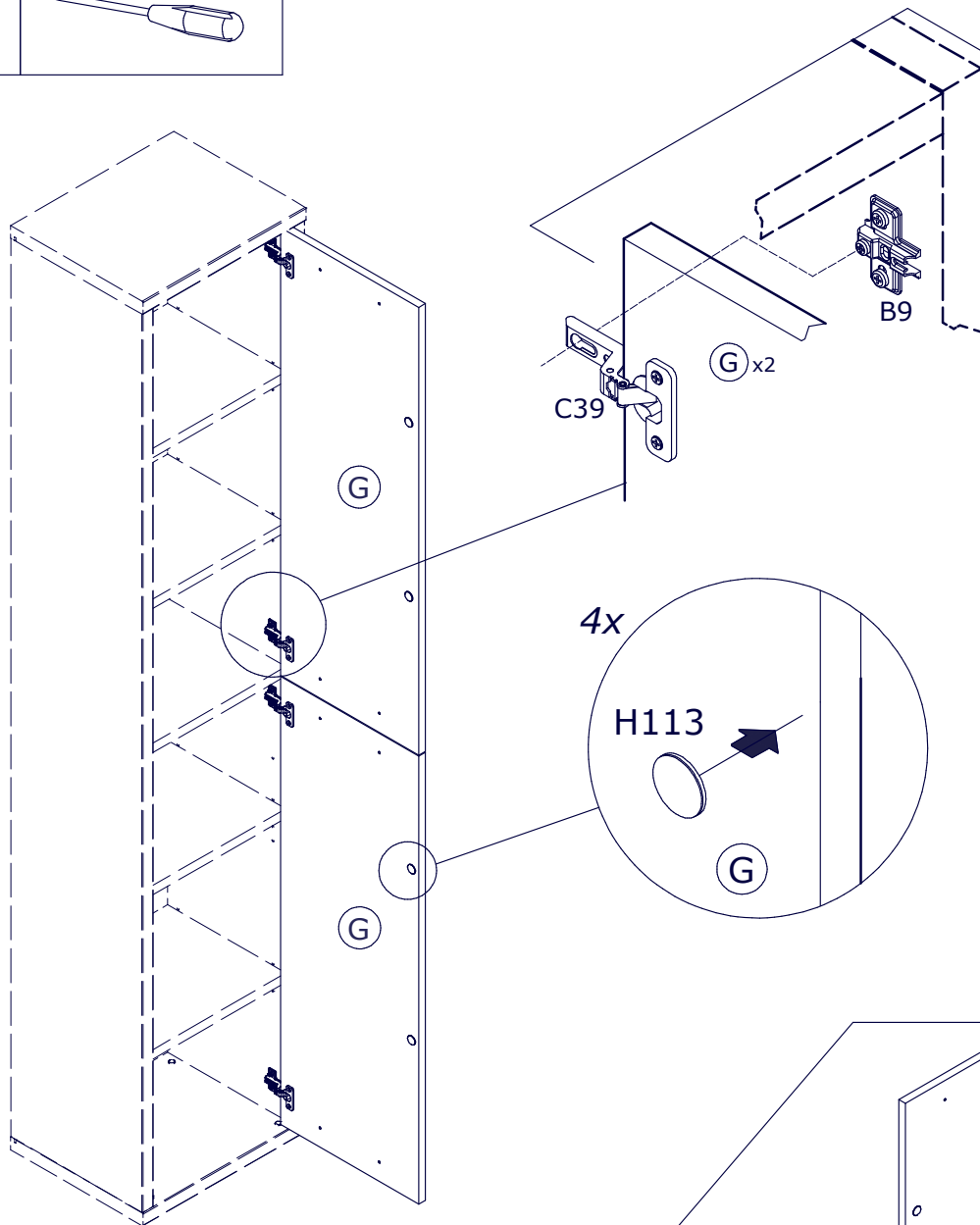
4x



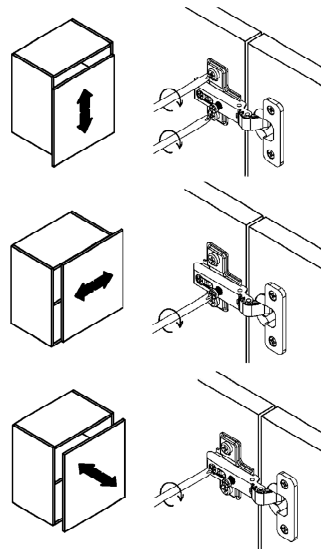
B9



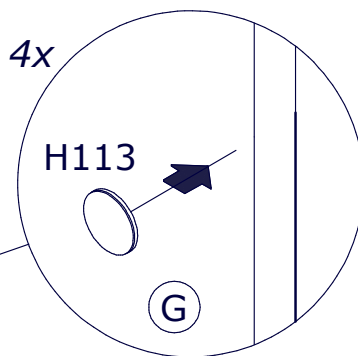
3B



B

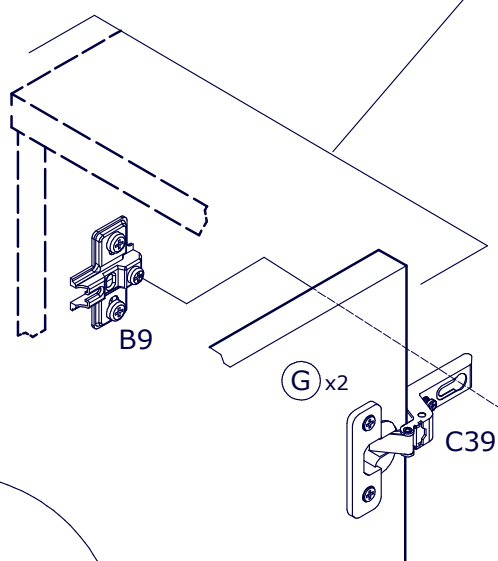


4x



H113

G

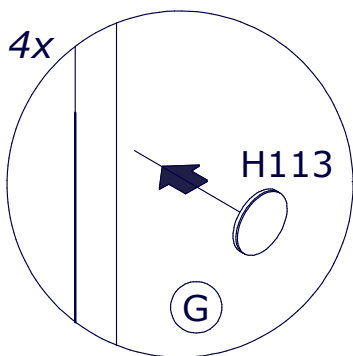


B9

G x2

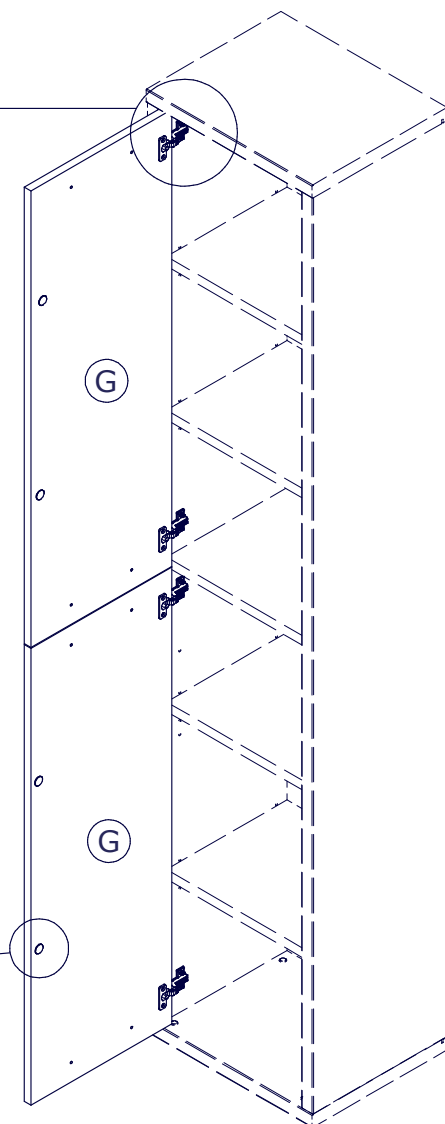
C39

4x



H113

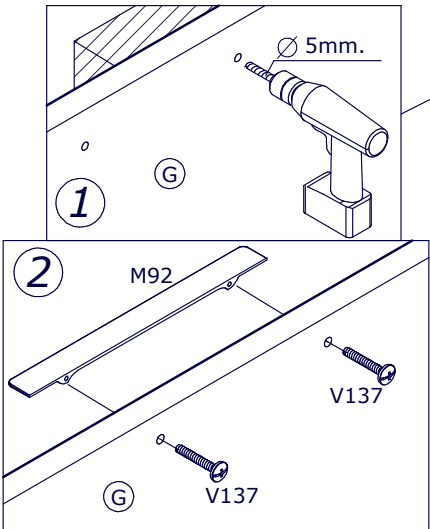
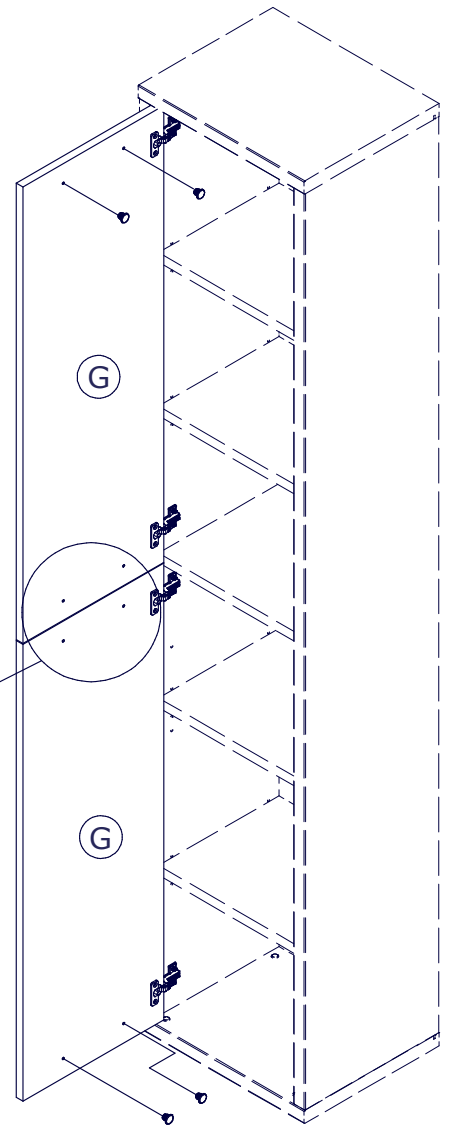
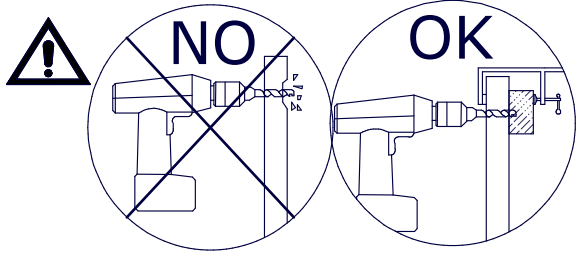
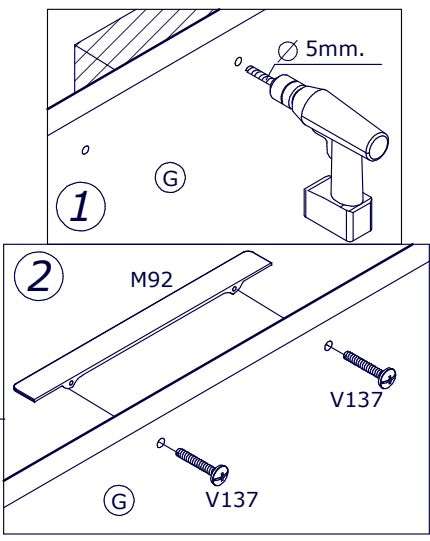
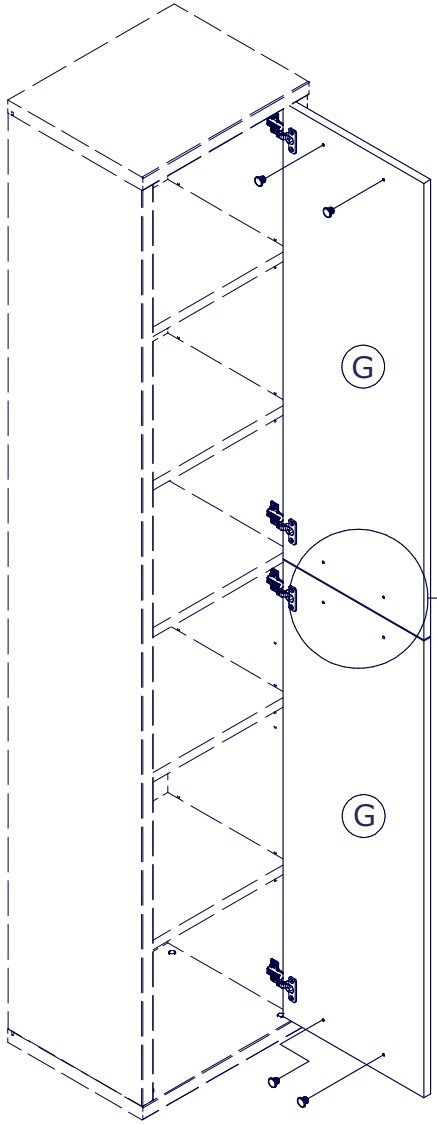
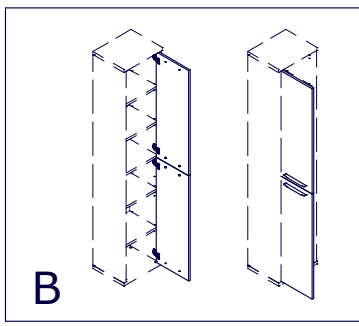
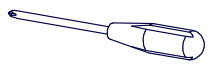
G



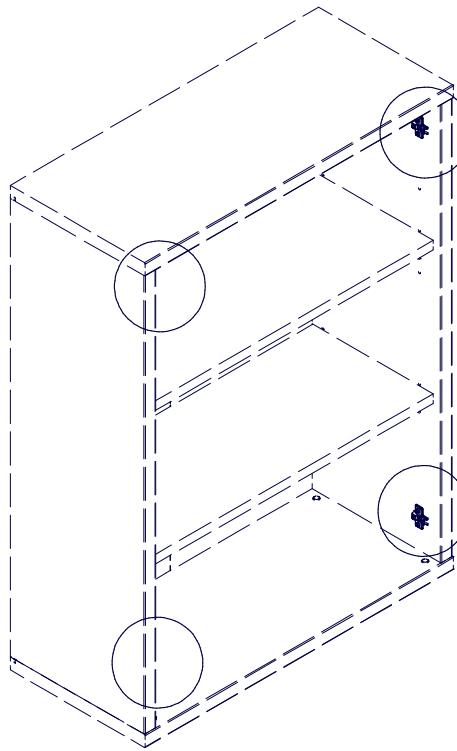
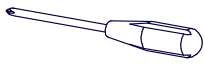
G

G

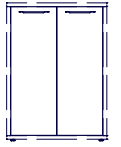
4B



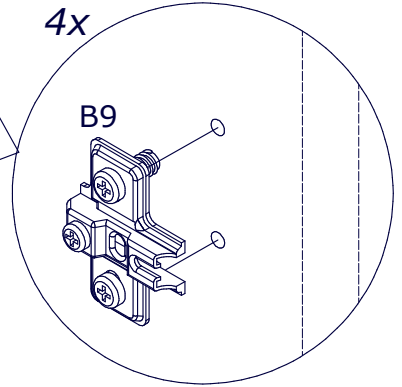
2c



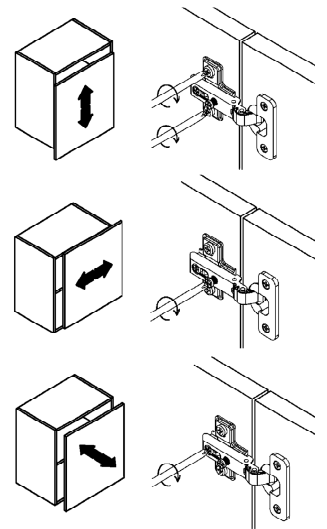
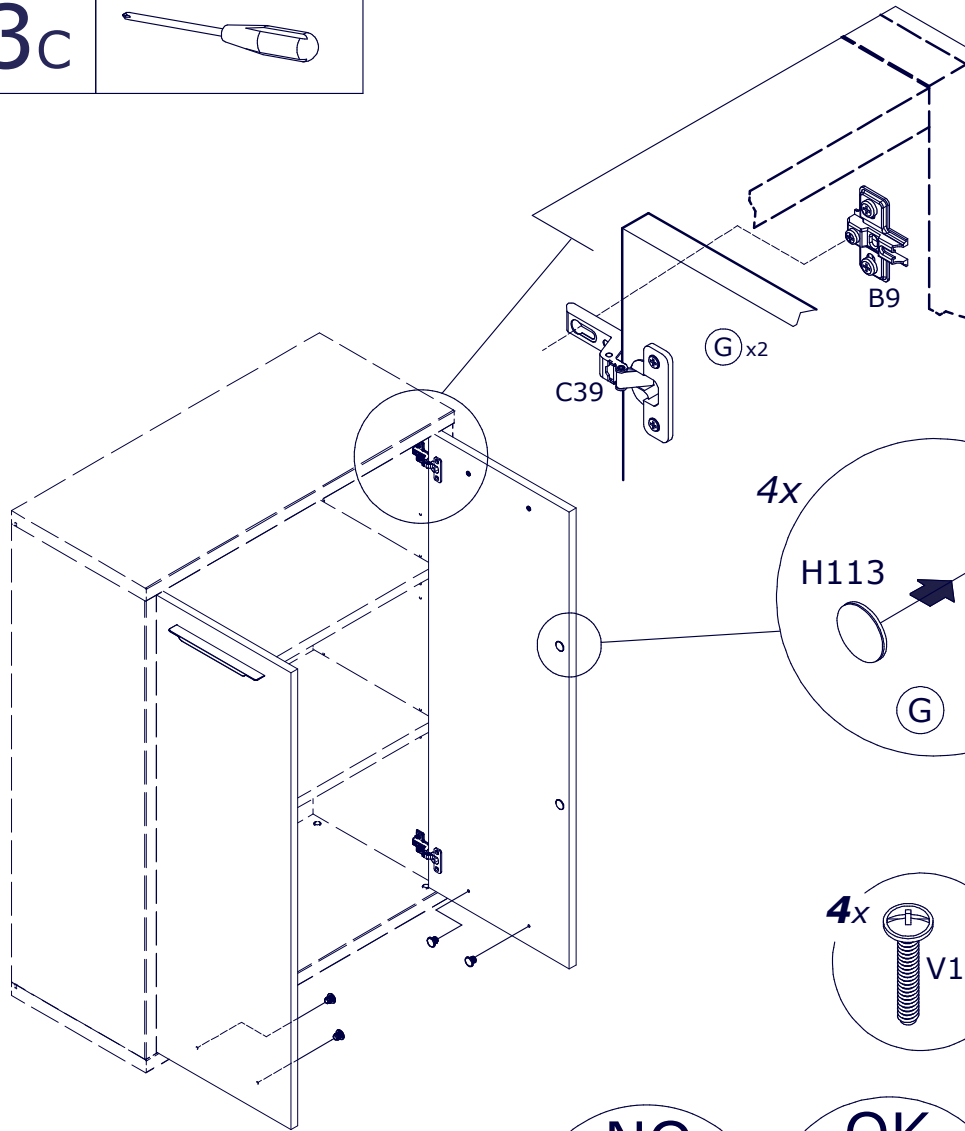
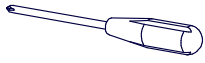
C



4x



3c



4x

